



*Canyon Bath*

[www.canyonbath.com](http://www.canyonbath.com)



# Canyon Bath

**W**elcome to Canyon Bath, your supplier of claw-foot tubs and bathroom fixtures. We sell factory-direct bath products that give you the best in price and quality.

Our cast iron tubs are traditional porcelain-over-cast-iron construction. The tub exterior is hand-smoothed, then primed and finished in a durable semi-gloss white enamel.

Canyon Bath carries a refined selection of extraordinary items to finish out your bathroom. From hand-made sinks crafted of single pieces of granite or jade to ornate faucets and solidly engineered drains, we have the fixtures you need.

If you are interested in purchasing in quantity or becoming one of our retailers, please contact us at 678-431-5161.

## about cast iron bath tubs

Enamel-coated cast iron is the most durable bathtub material, offering a rock-solid feeling of strength with a rich, glossy surface and vivid colors. It is a premiere finish and is usually the most expensive.

The word "cast" simply identifies the method used to produce the finished product, and not to describe the material itself. The casting method involves pouring molten or liquid iron into a mold, which defines the shape of the finished product.

The thickness of the enamel makes its surface resistant to acids and provides outstanding protection against chipping, scratches and dents. It is very impact-resistant and displays the richest, most highly polished finish of all bath materials.

Cast iron's combination of real molten iron and extra-thick enamel provides extraordinary beauty. Fired at temperatures much higher than possible with enameled steel products, the cast iron surface is "fire polished" to obtain its vivid color and deep gloss.

Its high-gloss surface resists damage and its structural density protects against dents and dings that can cause porcelain-on-steel tubs to chip. Cast iron reduces vibration and noise while helping water to stay warm longer.





Ball Feet

## 71" Double Slipper

- 71" Double Slipper with no rim holes or 7" rim holes
- Dimensions: 71" L x 31" W x 30-1/2" H
- Water depth is 14"
- Tub Weight Uncrated: 347 lbs
- White porcelain enamel interior
- Hand smoothed painted white exterior
- Available with or without faucet holes on tub rim

Left: **DS710-LBCH**. Double Slipper with no rim holes and chrome lion feet

<b>DS710-LBBN</b>	No tap holes Brushed Nickel Lion Feet	<b>DS710-BBBN</b>	No tap holes Brushed Nickel Ball Feet
<b>DS711-LBBN</b>	7" rim holes Brushed Nickel Lion Feet	<b>DS711-BBBN</b>	7" rim holes Brushed Nickel Ball Feet
<b>DS710-LBPB</b>	No tap holes Polished Brass Lion Feet	<b>DS710-BBCH</b>	No tap holes Chrome Ball Feet
<b>DS711-LBPB</b>	7" rim holes Polished Brass Lion Feet	<b>DS711-BBCH</b>	7" rim holes Chrome Ball Feet
<b>DS710-LBCH</b>	No tap holes Chrome Lion Feet	<b>DS710-BBPB</b>	No tap holes Polished Brass Ball Feet
<b>DS711-LBCH</b>	7" rim holes Chrome Lion Feet	<b>DS711-BBPB</b>	7" rim holes Polished Brass Ball Feet
<b>DS710-LBWH</b>	No tap holes White Lion Feet	<b>DS710-BBWH</b>	No tap holes White Ball Feet
<b>DS711-LBWH</b>	7" rim holes White Lion Feet	<b>DS711-BBWH</b>	7" rim holes White Ball Feet
<b>DS710-LBOB</b>	No tap holes Oil Rubbed Bronze Lion Feet	<b>DS710-BBOB</b>	No tap holes Oil Rubbed Bronze Ball Feet
<b>DS711-LBOB</b>	7" rim holes Oil Rubbed Bronze Lion Feet	<b>DS711-BBOB</b>	7" rim holes Oil Rubbed Bronze Ball Feet
<b>DS710-LBPN</b>	No tap holes Polished Nickel Lion Feet	<b>DS710-BBPN</b>	No tap holes Polished Nickel Ball Feet
<b>DS711-LBPN</b>	7" rim holes Polished Nickel Lion Feet	<b>DS711-BBPN</b>	7" rim holes Polished Nickel Ball Feet

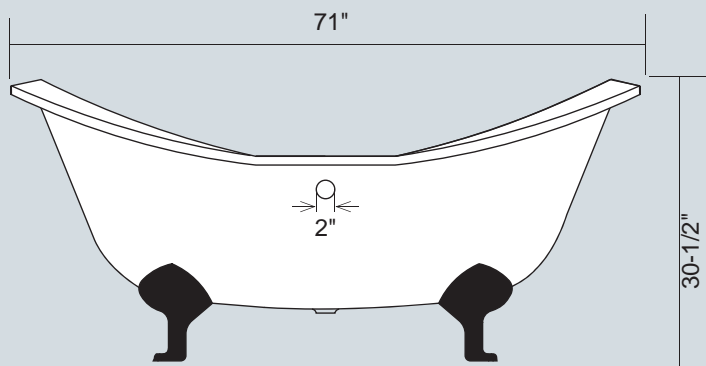
- White porcelain enamel interior
- Size: 72" L x 31.5" W x 30" H
- Water depth is 15"
- Tub Weight Uncrated: 432 lbs
- Popular bath for couples

## 72" Double Slipper

Right: **DS720-XBBN**. 72" Double Slipper with no rim holes and brushed nickel lion feet

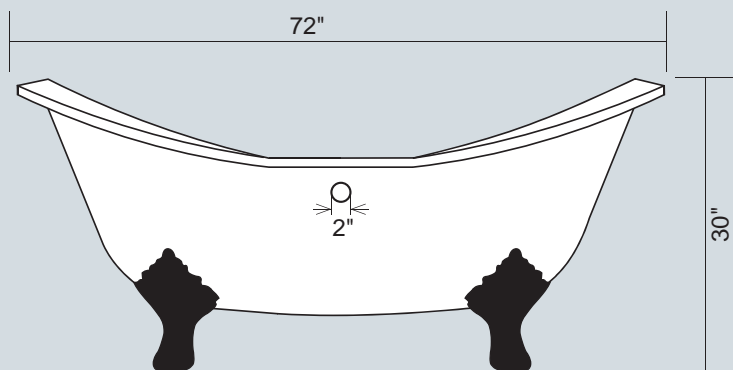
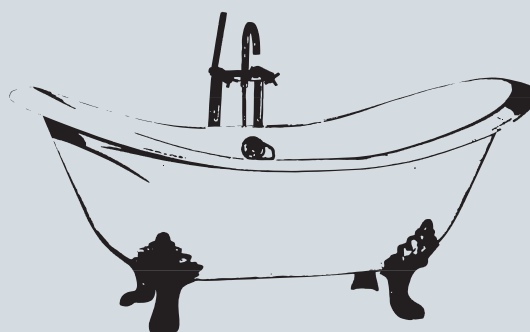
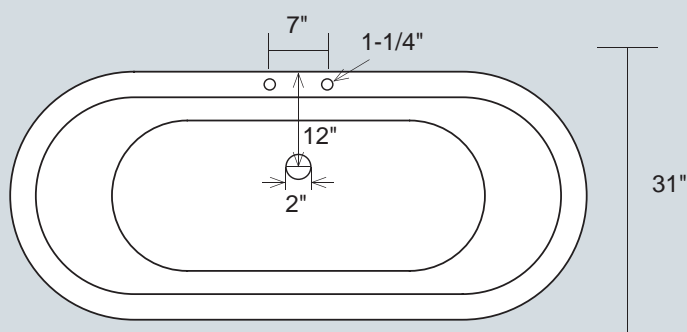


<b>DS720-XBBN</b>	No tap holes Brushed Nickel Lion Feet
<b>DS721-XBBN</b>	7" rim holes Brushed Nickel Lion Feet
<b>DS720-XBPB</b>	No tap holes Polished Brass Lion Feet
<b>DS721-XBPB</b>	7" rim holes Polished Brass Lion Feet
<b>DS720-XBCH</b>	No tap holes Chrome Lion Feet
<b>DS721-XBCH</b>	7" rim holes Chrome Lion Feet
<b>DS720-XBWH</b>	No tap holes White Lion Feet
<b>DS721-XBWH</b>	7" rim holes White Lion Feet
<b>DS720-XBOB</b>	No tap holes Oil Rubbed Bronze Lion Feet
<b>DS721-XBOB</b>	7" rim holes Oil Rubbed Bronze Lion Feet
<b>DS720-XBPN</b>	No tap holes Polished Nickel Lion Feet
<b>DS721-XBPN</b>	7" rim holes Polished Nickel Lion Feet



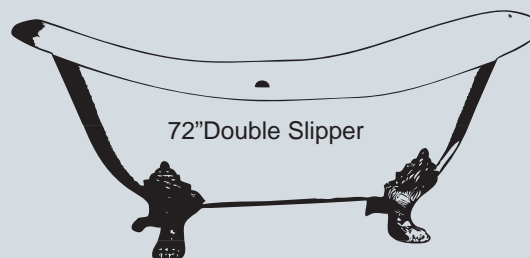
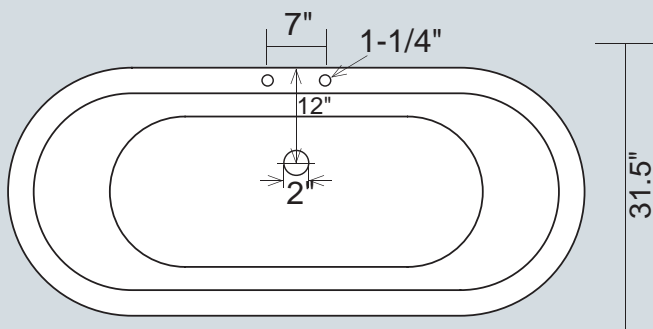
## 71" Double Slipper

- 71" Double Slipper with no rim holes or 7" rim holes
- Dimensions: 71" L x 31" W x 30-1/2" H
- Water depth is 14".
- Tub Weight Uncrated: 347 lbs.
- Overflow hole diameter is 2"
- Available with or without faucet holes on tub rim



## 72" Double Slipper

- White porcelain enamel interior
- Size: 72" L x 31.5" W x 30" H
- Water depth is 15"
- Tub Weight Uncrated: 432 lbs
- Overflow hole diameter is 2"





## 71" Double Slipper with Pedestal

- 71" Double Slipper with 7" rim holes
- Dimensions: 71" L x 31.5" W x 26.5" H
- Cast iron dual bathtub on cast iron pedestal
- White porcelain enamel interior
- Hand smoothed painted white exterior
- Each pedestal is individually fitted with the tub

Left: **DS711-P**

**DS710-P** / No tap holes

**DS711-P** / 7" rim holes

## 61" Dual Tub with Pedestal

- Dimensions: 61" L x 31" W x 24" H
- Water depth is 13-1/2"
- Tub Weight Uncrated: 340 lbs
- White porcelain enamel interior
- Hand smoothed painted white exterior
- Each pedestal is individually fitted with the tub

Right: **DR611-P**

**DR610-P** / No tap holes

**DR611-P** / 7" rim holes



## 66" Dual Tub with Pedestal

- Dimensions: 66" L x 31" W x 24" H
- Water depth is 13-1/2"
- Tub Weight Uncrated: 370 lbs
- White porcelain enamel interior
- Hand smoothed painted white exterior
- Each pedestal is individually fitted with the tub

Left: **DR661-P**

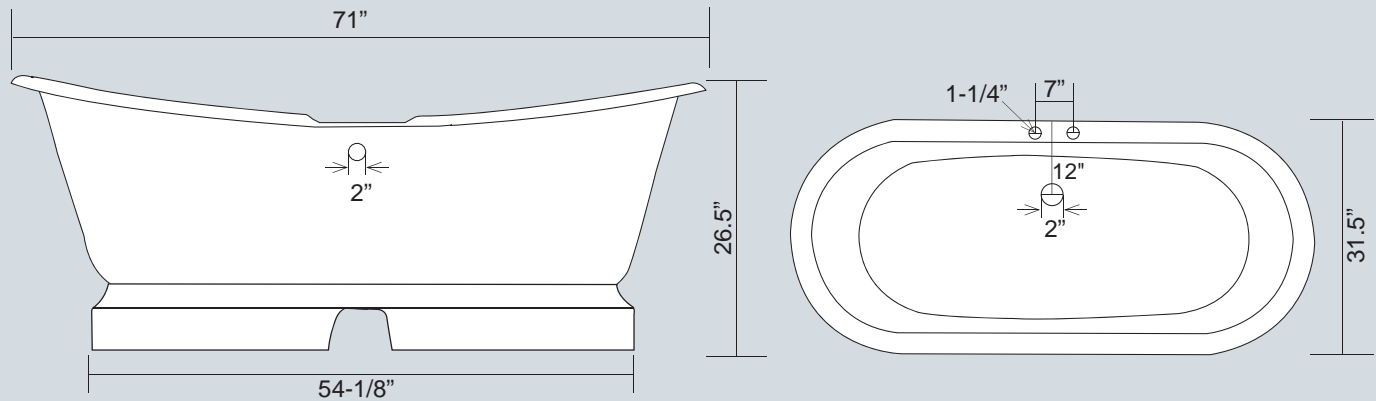
**DR660-P** / No tap holes

**DR661-P** / 7" rim holes



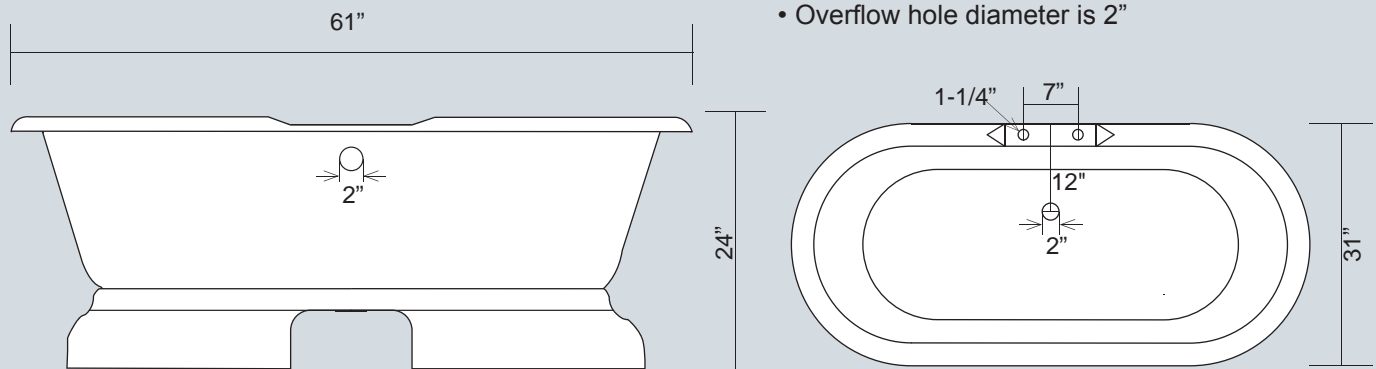
### 71" Double Slipper with Pedestal

- 71" Double Slipper with 7" rim holes
- Dimensions: 71" L x 31.5" W x 26.5" H
- Overflow hole diameter is 2"



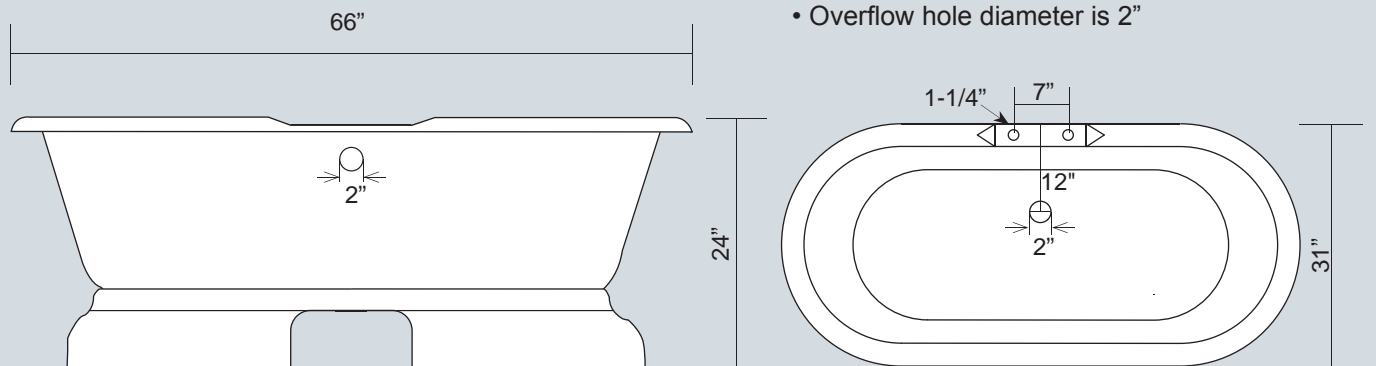
### 61" Dual Tub with Pedestal

- Dimensions: 61" L x 31" W x 24" H
- Water depth is 13-1/2"
- Tub Weight Uncrated: 340 lbs
- Overflow hole diameter is 2"



### 66" Dual Tub with Pedestal

- Dimensions: 66" L x 31" W x 24" H
- Water depth is 13-1/2"
- Tub Weight Uncrated: 370 lbs
- Overflow hole diameter is 2"



\* All measurements are approximate. Measurements may vary +/- 1/2".



## 61" / 66" Dual with Imperial Feet

- Dimensions for 61": 61" L x 31" W x 24" H
- Dimensions for 66": 66" L x 31" W x 24" H
- Water depth for both is 13-1/2"
- 61" Tub Weight Uncrated: 300 lbs
- 66" Tub Weight Uncrated: 310 lbs
- Hand smoothed painted white exterior

Left: **DR611-XBCH** 61" Dual Tub with 7" rim holes and Chrome Imperial Feet

<b>DR610-XBBN</b>	No tap holes Brushed Nickel Imperial Feet
<b>DR611-XBBN</b>	7" rim holes Brushed Nickel Imperial Feet
<b>DR610-XBPB</b>	No tap holes Polished Brass Imperial Feet
<b>DR611-XBPB</b>	7" rim holes Polished Brass Imperial Feet
<b>DR610-XBCH</b>	No tap holes Chrome Imperial Feet
<b>DR611-XBCH</b>	7" rim holes Chrome Imperial Feet
<b>DR610-XBWH</b>	No tap holes White Imperial Feet
<b>DR611-XBWH</b>	7" rim holes White Imperial Feet
<b>DR610-XBOB</b>	No tap holes Oil Rubbed Bronze Imperial Feet
<b>DR611-XBOB</b>	7" rim holes Oil Rubbed Bronze Imperial Feet
<b>DR610-XBPN</b>	No tap holes Polished Nickel Imperial Feet
<b>DR611-XBPN</b>	7" rim holes Polished Nickel Imperial Feet

<b>DR660-XBBN</b>	No tap holes Brushed Nickel Imperial Feet
<b>DR661-XBBN</b>	7" rim holes Brushed Nickel Imperial Feet
<b>DR660-XBPB</b>	No tap holes Polished Brass Imperial Feet
<b>DR661-XBPB</b>	7" rim holes Polished Brass Imperial Feet
<b>DR660-XBCH</b>	No tap holes Chrome Imperial Feet
<b>DR661-XBCH</b>	7" rim holes Chrome Imperial Feet
<b>DR660-XBWH</b>	No tap holes White Imperial Feet
<b>DR661-XBWH</b>	7" rim holes White Imperial Feet
<b>DR660-XBOB</b>	No tap holes Oil Rubbed Bronze Imperial Feet
<b>DR661-XBOB</b>	7" rim holes Oil Rubbed Bronze Imperial Feet
<b>DR660-XBPN</b>	No tap holes Polished Nickel Imperial Feet
<b>DR661-XBPN</b>	7" rim holes Polished Nickel Imperial Feet

## 68" Dual with Imperial Feet

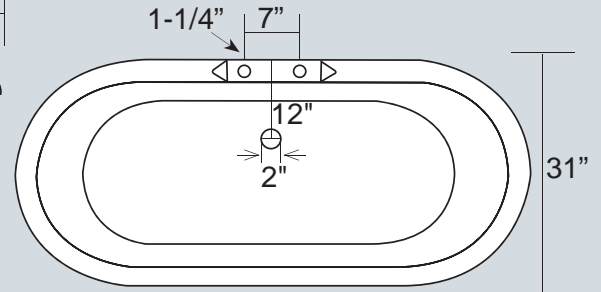
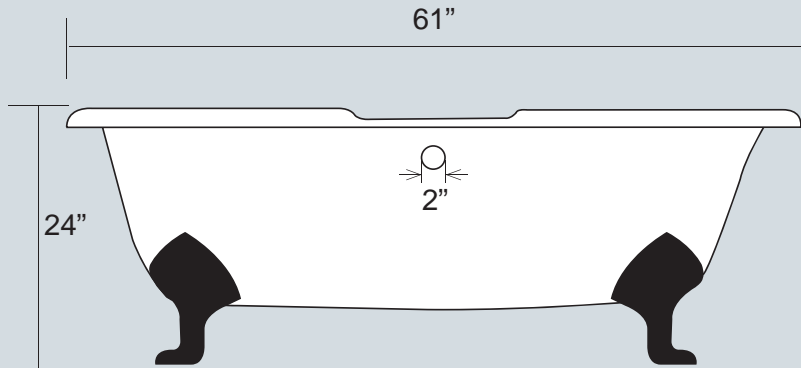
- Dimensions: 68" L x 31" W x 24" H
- Water depth is 13-1/2"
- Tub Weight Uncrated: 300 lbs
- White porcelain enamel interior
- Hand smoothed painted white exterior

Right: **DR681-IBCH** 68" Dual Tub with 7" rim holes and Chrome Imperial Feet

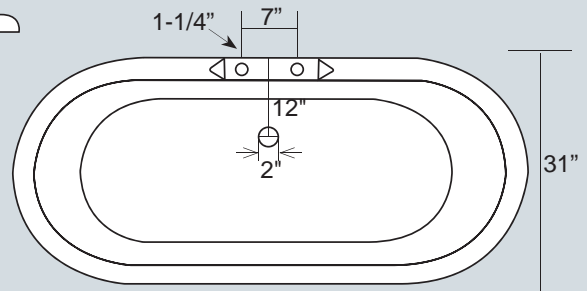
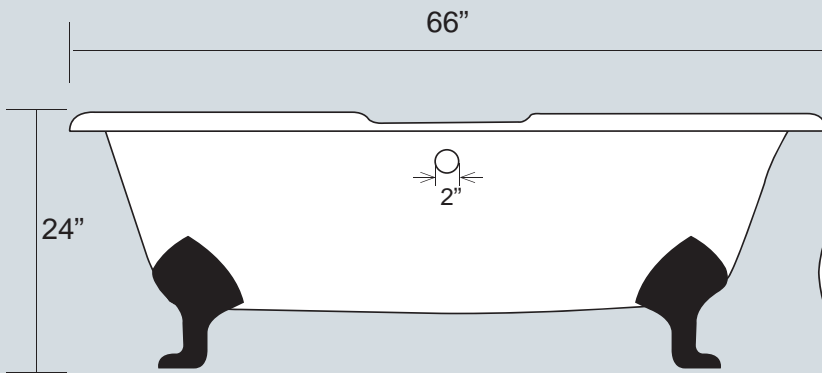


<b>DR680-IBBN</b>	No tap holes Brushed Nickel Imperial Feet
<b>DR681-IBBN</b>	7" rim holes Brushed Nickel Imperial Feet
<b>DR680-IBPB</b>	No tap holes Polished Brass Imperial Feet
<b>DR681-IBPB</b>	7" rim holes Polished Brass Imperial Feet
<b>DR680-IBCH</b>	No tap holes Chrome Imperial Feet
<b>DR681-IBCH</b>	7" rim holes Chrome Imperial Feet
<b>DR680-IBWH</b>	No tap holes White Imperial Feet
<b>DR681-IBWH</b>	7" rim holes White Imperial Feet
<b>DR680-IBOB</b>	No tap holes Oil Rubbed Bronze Imperial Feet
<b>DR681-IBOB</b>	7" rim holes Oil Rubbed Bronze Imperial Feet
<b>DR680-IBPN</b>	No tap holes Polished Nickel Imperial Feet
<b>DR681-IBPN</b>	7" rim holes Polished Nickel Imperial Feet

### 61" / 66" Dual with Imperial Feet

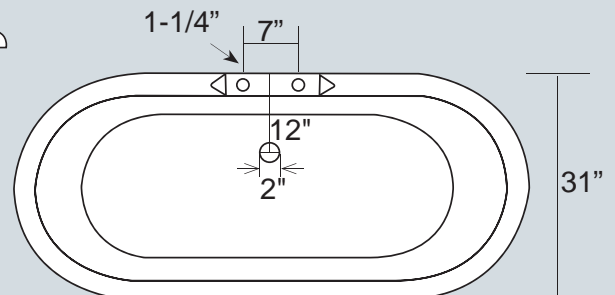
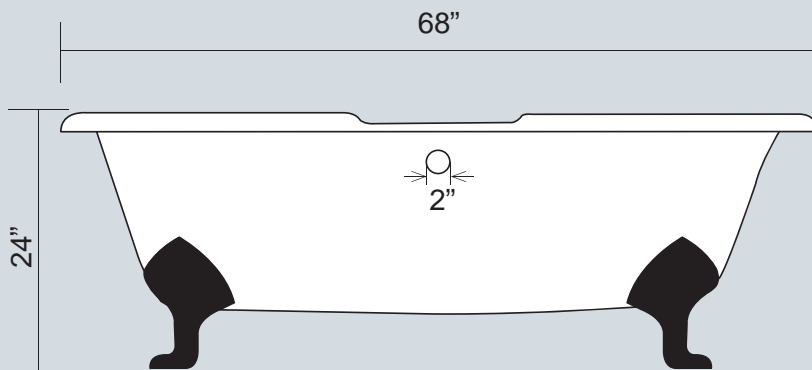


- Dimensions for 61": 61" L x 31" W x 24" H
- Dimensions for 66": 66" L x 31" W x 24" H
- Water depth for both is 13-1/2"
- 61" Tub Weight Uncrated: 300 lbs
- 66" Tub Weight Uncrated: 310 lbs
- Overflow hole diameter is 2"



### 68" Dual with Imperial Feet

- Dimensions: 68" L x 31" W x 24" H
- Water depth is 13-1/2"
- Tub Weight Uncrated: 300 lbs
- Overflow hole diameter is 2"



\* All measurements are approximate. Measurements may vary +/- 1/2".





## 69" Oriental Style Dual Tub

A stylish, modern, 68" dual tub available with a dark wood cradle for that coordinated design scheme. Tub rests on simulated wood blocks. Blocks are mounted to the floor and can be painted.

- Dimensions: 69 1/4" L x 30 1/4" W x 24 3/4" H
- Tub Weight Uncrated: 335 lbs

Left: **DRC691-W** 69" Dual on Wood Cradle with continuous rim and no tap holes

**DRC690-W** / No tap holes

**DRC691-W** / 7" rim holes

## 61" Oriental Style Dual Tub

- 61" Dual tub with no rim holes or 7" rim holes
- Dimensions: 61" L x 30 3/4" W x 24 1/4" H
- Tub Weight Uncrated: 285 lbs
- White porcelain enamel interior
- Hand smoothed painted white exterior
- Oak Wood Block Stand

**DRC610-W** / No tap holes

**DRC611-W** / 7" rim holes

Right: **DRC610-W** 61" Dual on Wood Cradle with continuous rim and no tap holes



## 59" Oriental Style Dual Tub

- 59" Dual tub with no rim holes or 7" rim holes
- Dimensions: 59" L x 30 3/4" W x 24 1/4" H
- Tub Weight Uncrated: 234 lbs
- White porcelain enamel interior
- Hand smoothed painted white exterior Oak Wood Block Stand

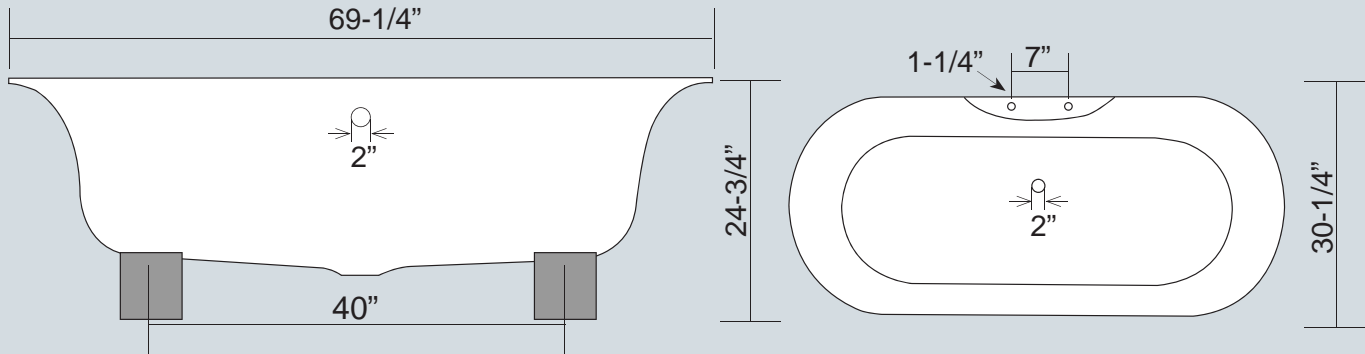
**DRC590-W** / No tap holes

**DRC591-W** / 7" rim holes

Left: **DRC590-W** 59" Dual on Wood Cradle with continuous rim and No Tap Holes

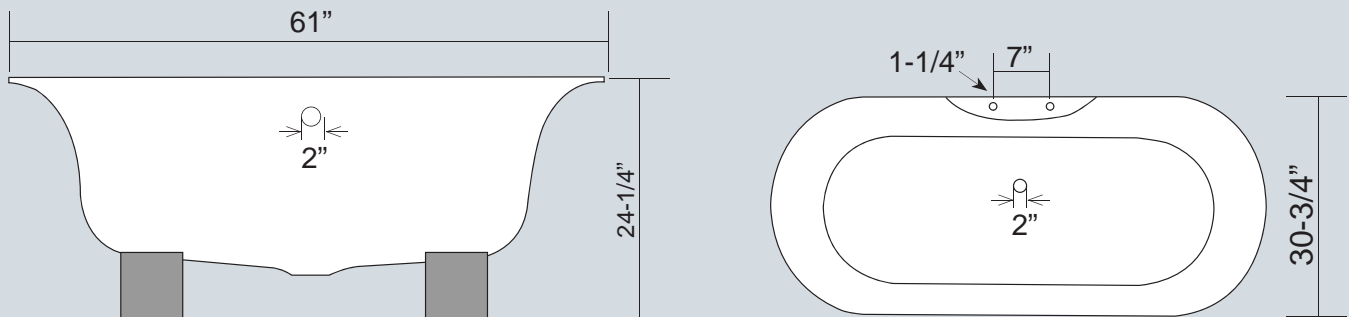
### 69" Oriental Style Dual Tub

- Dimensions: 69 1/4" L x 30 1/4" W x 24 3/4" H
- Tub Weight Uncrated: 335 lbs
- Overflow hole diameter is 2"



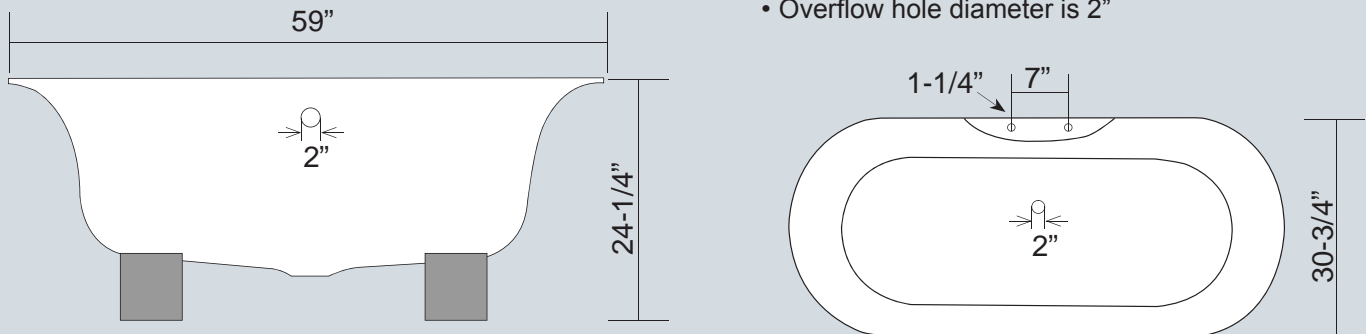
### 61" Oriental Style Dual Tub

- 61" Dual tub with no rim holes or 7" rim holes
- Dimensions: 61" L x 30 3/4" W x 24 1/4" H
- Tub Weight Uncrated: 285 lbs
- Overflow hole diameter is 2"



### 59" Oriental Style Dual Tub

- 59" Dual tub with no rim holes or 7" rim holes
- Dimensions: 59" L x 30 3/4" W x 24 1/4" H
- Tub Weight Uncrated: 234 lbs
- Overflow hole diameter is 2"





## 70" Oriental Style Dual Tub

- Dimensions: 70 1/2 " L x 32 1/4 " W x 24 3/4" H
- Tub Weight Uncrated: 403 lbs.
- White porcelain enamel interior
- Hand smoothed painted white exterior
- Oak Wood Block Stand

Left: **DRF701-W**

**DRF700-W** / No tap holes

**DRF701-W** / 7" rim holes

## 60" Oriental Style Dual Tub

- Dimensions: 60-1/4 " L x 31 " W x 24 3/4" H
- Tub Weight Uncrated: 342 lbs
- White porcelain enamel interior
- Hand smoothed painted white exterior
- Oak Wood Block Stand

Right: **DRF600-W**

**DRF600-W** / No tap holes

**DRF601-W** / 7" rim holes



## 57" Oriental Style Dual Tub

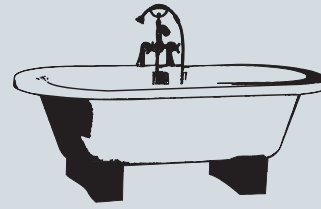
- Dimensions: 57 " L x 31 " W x 24 3/4" H
- Tub Weight Uncrated: 262 lbs
- White porcelain enamel interior
- Hand smoothed painted white exterior
- Oak Wood Block Stand

Right: **DRF570-W**

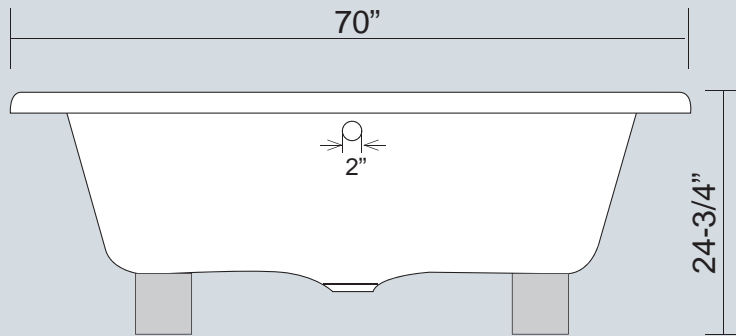
**DRF570-W** / No tap holes

**DRF571-W** / 7" rim holes

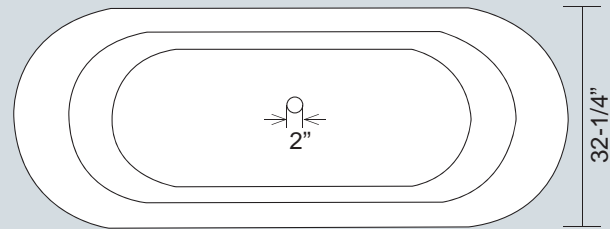




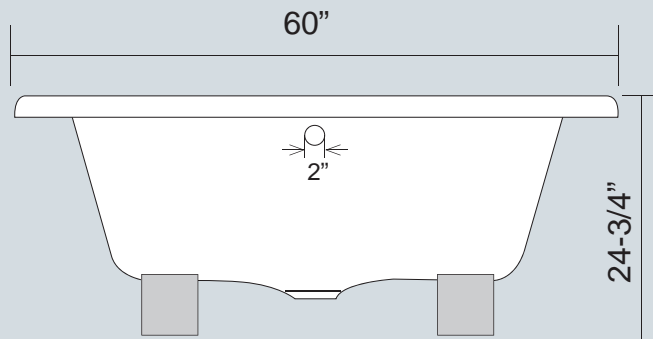
### 70" Oriental Style Dual Tub



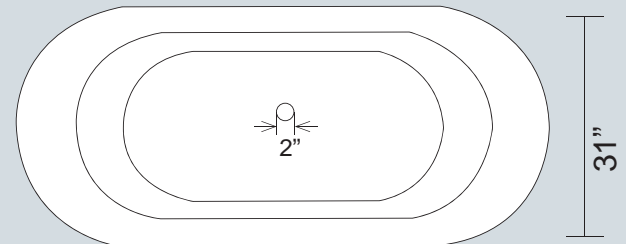
- Dimensions: 70 1/2 " L x 32 1/4 " W x 24 3/4" H
- Tub Weight Uncrated: 403 lbs
- Overflow hole diameter is 2"



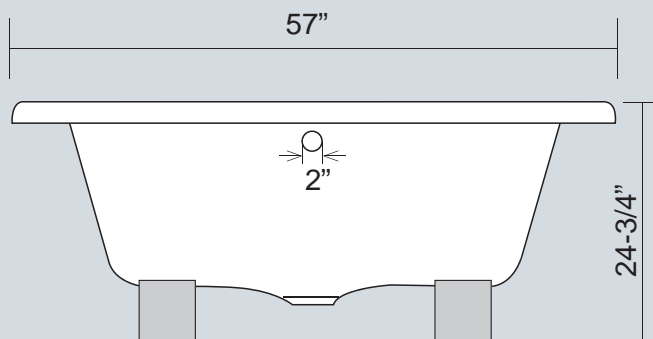
### 60" Oriental Style Dual Tub



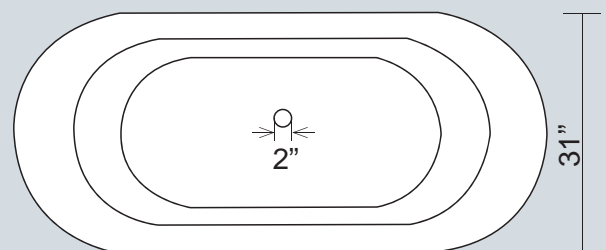
- Dimensions: 60-1/4 " L x 31 " W x 24 3/4" H
- Tub Weight Uncrated: 342 lbs.
- Oak Wood Block Stand
- Overflow hole diameter is 2"



### 57" Oriental Style Dual Tub



- Dimensions: 57 " L x 31 " W x 24 3/4" H
- Tub Weight Uncrated: 262 lbs
- Overflow hole diameter is 2"



\* All measurements are approximate. Measurements may vary +/- 1/2".

## 67" Oriental Style Dual with Wood Blocks

- The design is contemporary and fits in with modern bath room decor
- Dimensions: 67 1/2" L x 31 3/4" W x 25 1/4" H
- Tub Weight Uncrated: 386 lbs
- White porcelain enamel interior
- Hand smoothed painted white exterior
- Oak Wood Block Stand

Right: **DRS670-W**

**DRS670-W** / No tap holes

**DRS671-W** / 7" rim holes



## Swedish Style Tubs

Northern Europe is quite cold most of the year, and these deep Swedish style tubs are the perfect vessel for warming yourself to the bone.

Designed in the Nordic style, Canyon Bath's Swedish tubs provide a unique look and thoroughly practical functionality.

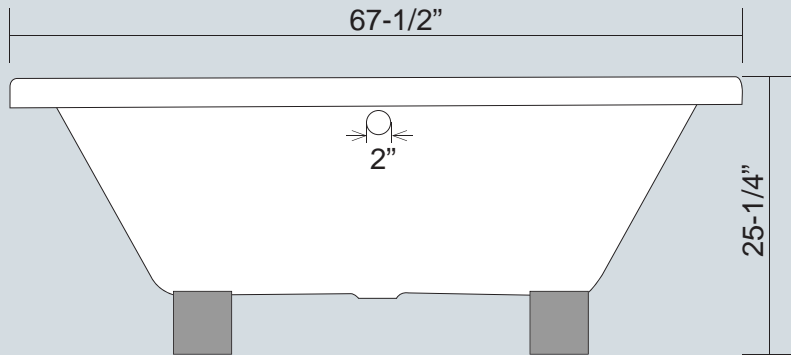
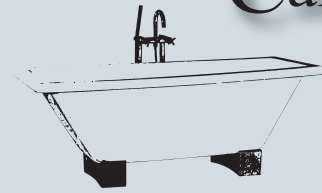


### Swedish Style Roll Top Tubs

- 53.5" Swedish Style deep tub with no rim hole
- White porcelain enamel interior
- Tub Weight Uncrated: 256 lbs
- Dimensions: 53.5" L x 29.5" W x 21" H
- Hand smoothed painted white exterior

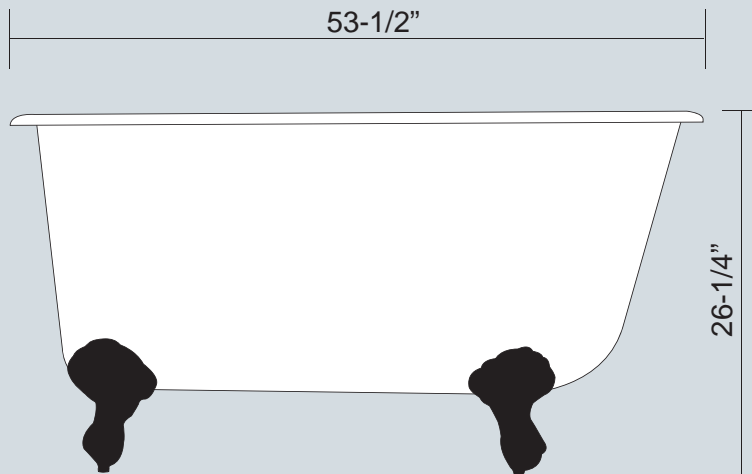
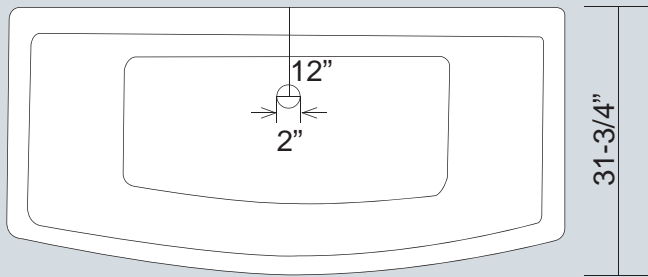
Left: **RTS530-SBPB** 53.5" Roll top Swedish tub with continuous rim and Polished and Brass feet

<b>RTS530-SBBN</b>	No tap holes Brushed Nickel Imperial Feet
<b>RTS530-SBPB</b>	No tap holes Polished Brass Imperial Feet
<b>RTS530-SBCH</b>	No tap holes Chrome Imperial Feet
<b>RTS530-SBWH</b>	No tap holes White Imperial Feet
<b>RTS530-SBOB</b>	No tap holes Oil Rubbed Bronze Imperial Feet
<b>RTS530-SBPN</b>	No tap holes Polished Nickel Imperial Feet



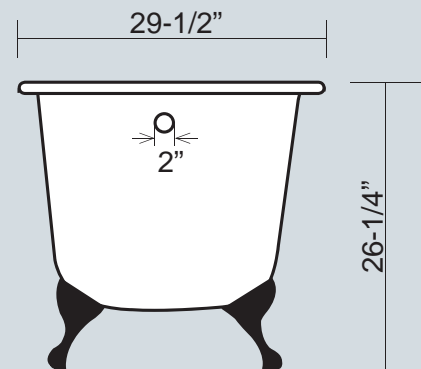
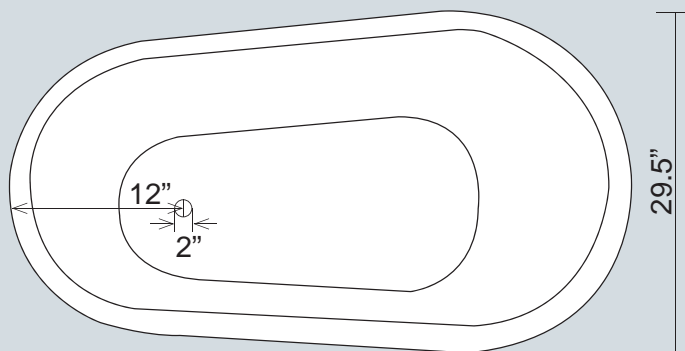
### 67" Oriental Style Dual with Wood Blocks

- The design is contemporary and fits in with modern bath room decor.
- Dimensions: 67 1/2" L x 31 3/4" W x 25 1/4" H
- Tub Weight Uncrated: 386 lbs
- Overflow hole diameter is 2"



### Swedish Style Roll Top Tubs

- 53 1/2" Swedish Style deep tub with no rim hole
- White porcelain enamel interior
- Tub Weight Uncrated: 256 lbs
- Dimensions: 53 1/2" L x 29 1/2" W x 26-1/4" H
- Overflow hole diameter is 2"



\* All measurements are approximate. Measurements may vary +/- 1/2".



## Swedish Style 53.5" Slipper Tubs

- 53.5" Swedish Style deep soaking
- Dimensions: 53.5" L x 29.5" W x 24" H
- Slipper tub with no rim holes
- White porcelain enamel interior
- Tub Weight Uncrated: 265 lbs
- Hand smoothed painted white exterior

Left: **SLS530-SBCH** 53.5" Slipper Swedish tub with continuous rim and Chrome Brass feet

<b>SLS530-SBBN</b>	No tap holes Brushed Nickel Imperial Feet
<b>SLS530-SBPB</b>	No tap holes Polished Brass Imperial Feet
<b>SLS530-SBCH</b>	No tap holes Chrome Imperial Feet
<b>SLS530-SBWH</b>	No tap holes White Imperial Feet
<b>SLS530-SBOB</b>	No tap holes Oil Rubbed Bronze Imperial Feet
<b>SLS530-SBPN</b>	No tap holes Polished Nickel Imperial Feet

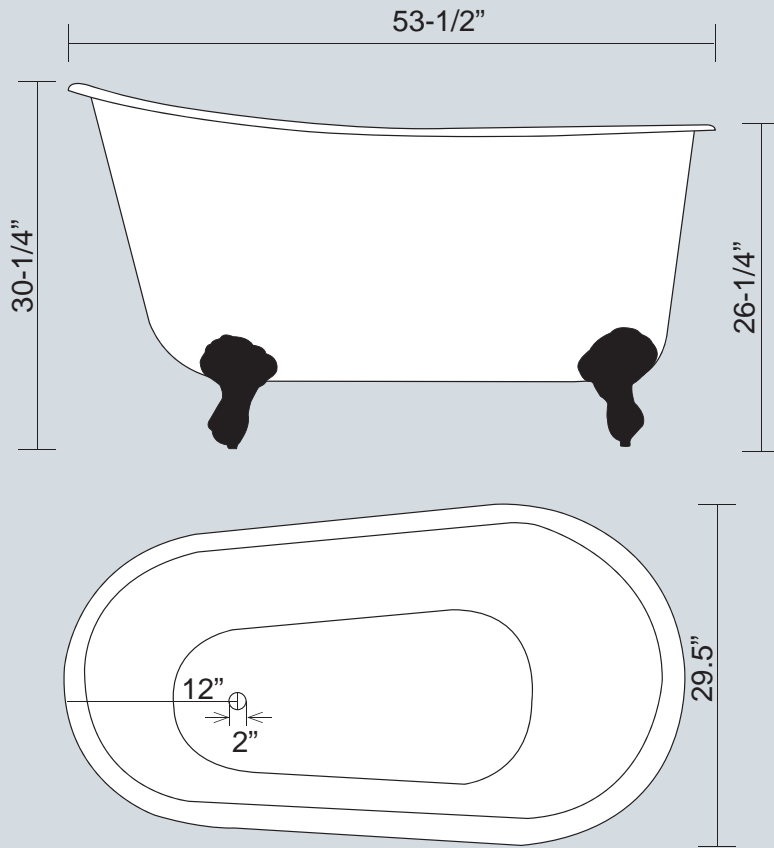
## Swedish Style 57" Slipper Tubs

- 57" Swedish Style deep soaking slipper tub with no rim holes
- Dimensions: 57" L x 29.5" W x 24" H
- White porcelain enamel interior
- Tub Weight Uncrated: 271 lbs
- Hand smoothed painted white exterior

Right: **SLS570-SBCH** 57" slipper Swedish tub with continuous rim and Chrome Brass feet

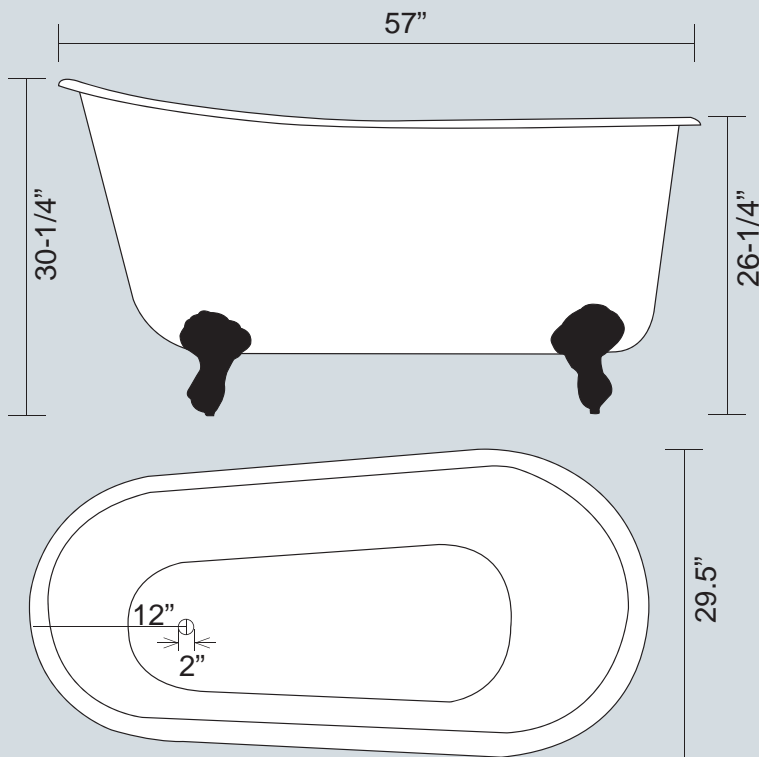
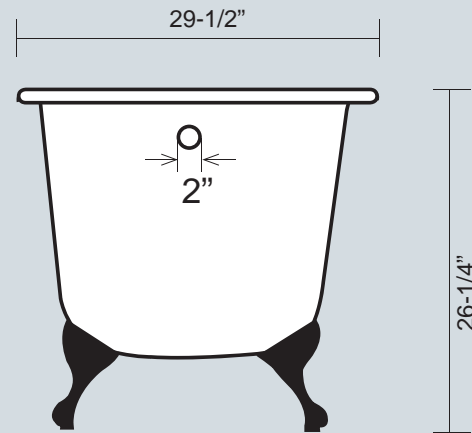


<b>SLS570-SBBN</b>	No tap holes Brushed Nickel Imperial Feet
<b>SLS570-SBPB</b>	No tap holes Polished Brass Imperial Feet
<b>SLS570-SBCH</b>	No tap holes Chrome Imperial Feet
<b>SLS570-SBWH</b>	No tap holes White Imperial Feet
<b>SLS570-SBOB</b>	No tap holes Oil Rubbed Bronze Imperial Feet
<b>SLS570-SBPN</b>	No tap holes Polished Nickel Imperial Feet



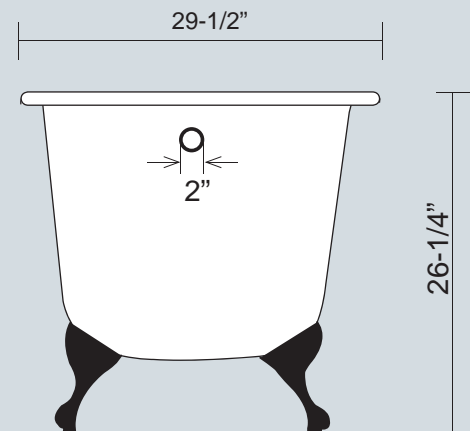
### Swedish Style 53.5" Slipper Tubs

- 53 1/2" Swedish Style deep soaking
- Dimensions: 53 1/2" L x 29.5" W x 26-1/4" H
- Slipper tub with no rim holes
- Tub Weight Uncrated: 265 lbs
- Overflow hole diameter is 2"



### Swedish Style 57" Slipper Tubs

- 57" Swedish Style deep soaking slipper tub with no rim holes
- Dimensions: 57" L x 29.5" W x 26-1/4" H
- Tub Weight Uncrated: 271 lbs
- Overflow hole diameter is 2"



\* All measurements are approximate. Measurements may vary +/- 1/2".



## 57" Classic Slipper Tubs

- 57" classic slipper claw-foot tub with continuous rolled rim is made specifically to be placed in a built-in tub space
- Dimensions: 57-3/8" L x 29" W x 21-5/8" - 29-5/8" H
- Tub Weight Uncrated: 275 lbs
- No Tap Holes, use freestanding supply lines or wall mount the faucet
- Feet styles available: Imperial or Ball and Claw

Right: **SL570-IBWH** 57" Cast Iron Slipper Tub with continuous rim and White Imperial Feet



Ball and Claw Feet

<b>SL570-IBBN</b>	No tap holes Brushed Nickel Imperial Feet	<b>SL570-BBPN</b>	No tap holes Polished Nickel Ball Feet
<b>SL570-IBPB</b>	No tap holes Polished Brass Imperial Feet	<b>SL570-BBPN</b>	No tap holes Polished Nickel Ball Feet
<b>SL570-IBCH</b>	No tap holes Chrome Imperial Feet	<b>SL570-BBPN</b>	No tap holes Polished Nickel Ball Feet
<b>SL570-IBWH</b>	No tap holes White Imperial Feet	<b>SL570-BBPN</b>	No tap holes Polished Nickel Ball Feet
<b>SL570-IBOB</b>	No tap holes Oil Rubbed Bronze Imperial Feet	<b>SL570-BBPN</b>	No tap holes Polished Nickel Ball Feet
<b>SL570-IBPN</b>	No tap holes Polished Nickel Imperial Feet	<b>SL570-BBPN</b>	No tap holes Polished Nickel Ball Feet

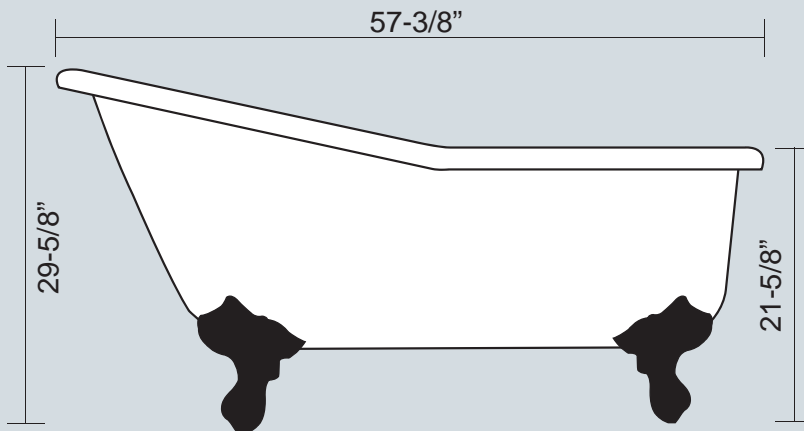


## 59" Classic Slipper Tubs

- 59" Slipper with no rim holes and continuous rim
- Dimensions: 59-1/2" L x 29" W x 21-5/8" - 29-5/8" H
- Tub Weight Uncrated: 285 lbs
- White porcelain enamel interior
- Hand smoothed painted white exterior
- Feet styles available: Imperial or Ball and Claw

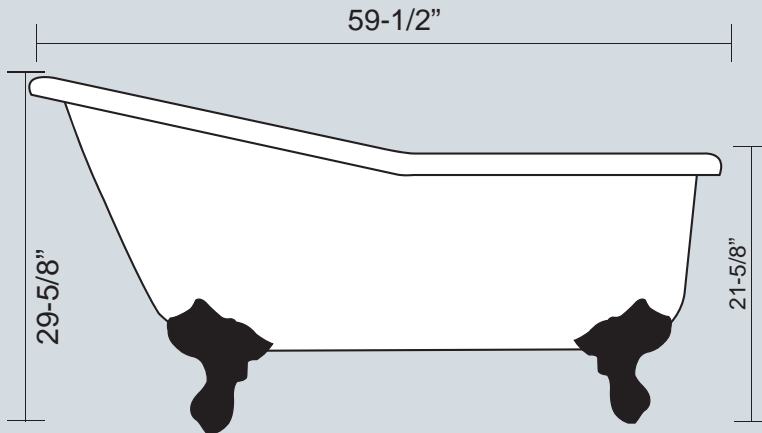
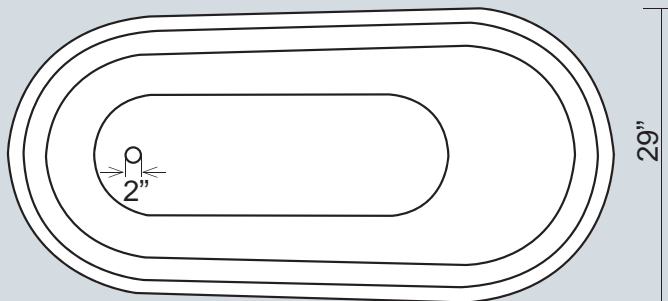
Left: **SL590-IBCH** 59" Cast Iron Slipper Tub with continuous rim and Chrome Imperial Feet

<b>SL590-IBBN</b>	No tap holes Brushed Nickel Imperial Feet	<b>SL590-BBPN</b>	No tap holes Polished Nickel Ball Feet
<b>SL590-IBPB</b>	No tap holes Polished Brass Imperial Feet	<b>SL590-BBPN</b>	No tap holes Polished Nickel Ball Feet
<b>SL590-IBCH</b>	No tap holes Chrome Imperial Feet	<b>SL590-BBPN</b>	No tap holes Polished Nickel Ball Feet
<b>SL590-IBWH</b>	No tap holes White Imperial Feet	<b>SL590-BBPN</b>	No tap holes Polished Nickel Ball Feet
<b>SL590-IBOB</b>	No tap holes Oil Rubbed Bronze Imperial Feet	<b>SL590-BBPN</b>	No tap holes Polished Nickel Ball Feet
<b>SL590-IBPN</b>	No tap holes Polished Nickel Imperial Feet	<b>SL590-BBPN</b>	No tap holes Polished Nickel Ball Feet



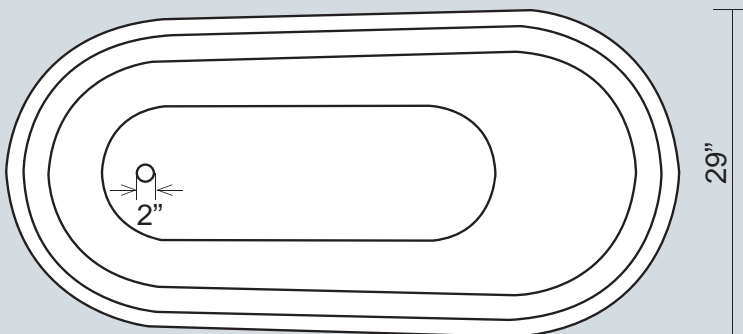
### 57" Classic Slipper Tubs

- Dimensions: 57-3/8" L x 29" W x 21-5/8" - 29-5/8" H
- Tub is 16-1/2" deep at drain.
- Overflow hole diameter is 2"
- Water depth to overflow is 13-1/2" H



### 59" Classic Slipper Tubs

- 59 1/2" Slipper with no rim holes and continuous rim
- Dimensions: 59-1/2" L x 29" W x 21-5/8" - 29-5/8" H
- Tub is 16-1/2" deep at drain.
- Overflow hole diameter is 2"
- Water depth to overflow is 13-1/2" H



- White porcelain enamel interior
- Hand smoothed painted white exterior
- Size: 60" L x 30" W x 30 1/2" H
- Water depth is 13.4"
- Tub Weight Uncrated: 365 lbs
- Available with no tap holes

## 60" Classic Slipper Tubs



Right: SL600-XBPB. Slipper with no tap holes and polished brass Imperial feet

<b>SL600-XBBN</b>	No tap holes Brushed Nickel Imperial Feet
<b>SL600-XBPB</b>	No tap holes Polished Brass Imperial Feet
<b>SL600-XBCH</b>	No tap holes Chrome Imperial Feet
<b>SL600-XBWH</b>	No tap holes White Imperial Feet
<b>SL600-XBOB</b>	No tap holes Oil Rubbed Bronze Imperial Feet
<b>SL600-XBPN</b>	No tap holes Polished Nickel Imperial Feet



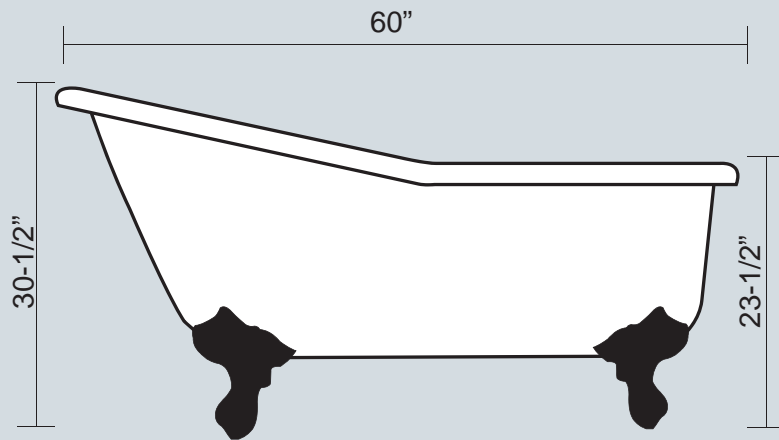
Ball and Claw Feet

## 61" Classic Slipper Tubs

- This elegant 61" Slipper Tub features an extended, gently sloped backrest and sits on ball and claw feet or imperial feet
- The slipper is available with faucet holes in the tub rim on the drain end, without faucet holes for faucets mounted on free-standing fixtures or in the wall of the home
- Dimensions: 61" L x 29-1/2" W x 23-1/2" to 32-1/2" H
- Tub Weight Uncrated: 285 lbs

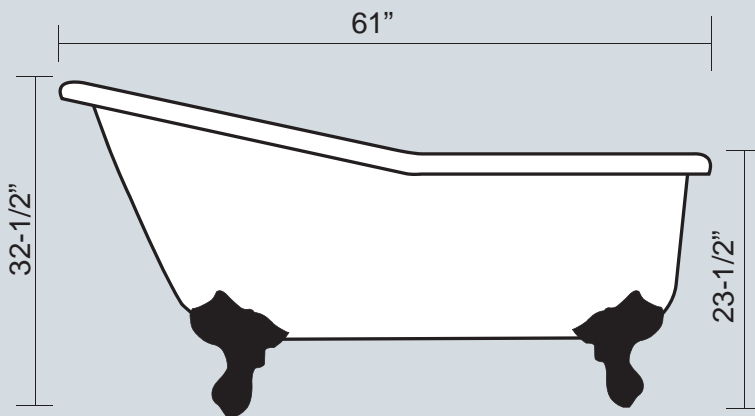
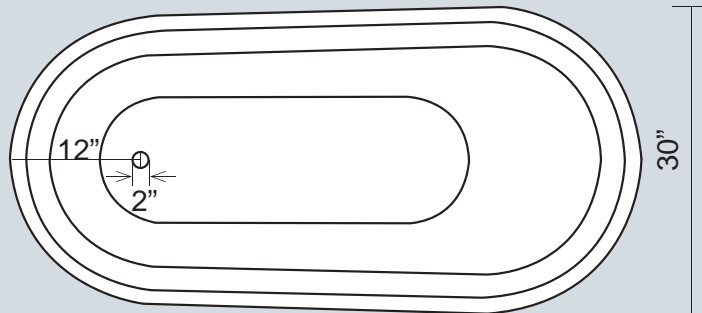
Left: **SL610-IBCH** 61" Cast Iron Slipper Tub with no tap holes and Chrome Imperial Feet

<b>SL610-IBBN</b>	No tap holes Brushed Nickel Imperial Feet	<b>SL610-BBBN</b>	No tap holes Brushed Nickel Ball and Claw Feet
<b>SL611-IBBN</b>	7" rim holes Brushed Nickel Imperial Feet	<b>SL611-BBBN</b>	7" rim holes Brushed Nickel Ball and Claw Feet
<b>SL612-IBBN</b>	3 1/2" rim holes Brushed Nickel Imperial Feet	<b>SL612-BBBN</b>	3 1/2" rim holes Brushed Nickel Ball and Claw Feet
<b>SL610-IBPB</b>	No tap holes Polished Brass Imperial Feet	<b>SL610-BBCH</b>	No tap holes Chrome Ball and Claw Feet
<b>SL611-IBPB</b>	7" rim holes Polished Brass Imperial Feet	<b>SL611-BBCH</b>	No tap holes Chrome Ball and Claw Feet
<b>SL612-IBPB</b>	3 1/2" rim holes Polished Brass Imperial Feet	<b>SL612-BBCH</b>	3 1/2" rim holes Chrome Ball and Claw Feet
<b>SL610-IBCH</b>	No tap holes Chrome Imperial Feet	<b>SL610-BBPB</b>	No tap holes Polished Brass Ball and Claw Feet
<b>SL611-IBCH</b>	7" rim holes Chrome Imperial Feet	<b>SL611-BBPB</b>	7" rim holes Polished Brass Ball and Claw Feet
<b>SL612-IBCH</b>	3 1/2" rim holes Chrome Imperial Feet	<b>SL612-BBPB</b>	3 1/2" rim holes Polished Brass Ball and Claw Feet
<b>SL610-IBWH</b>	No tap holes White Imperial Feet	<b>SL610-BBWH</b>	No tap holes White Ball and Claw Feet
<b>SL611-IBWH</b>	7" rim holes White Imperial Feet	<b>SL611-BBWH</b>	7" rim holes White Ball and Claw Feet
<b>SL612-IBWH</b>	3 1/2" rim holes White Imperial Feet	<b>SL612-BBWH</b>	3 1/2" rim holes White Ball and Claw Feet
<b>SL610-IBOB</b>	No tap holes Oil Rubbed Bronze Imperial Feet	<b>SL610-BBOB</b>	No tap holes Oil Rubbed Bronze Ball and Claw Feet
<b>SL611-IBOB</b>	7" rim holes Oil Rubbed Bronze Imperial Feet	<b>SL611-BBOB</b>	7" rim holes Oil Rubbed Bronze Ball and Claw Feet
<b>SL612-IBOB</b>	3 1/2" rim holes Oil Rubbed Bronze Imperial Feet	<b>SL612-BBOB</b>	3 1/2" rim holes Oil Rubbed Bronze Ball and Claw Feet
<b>SL610-IBPN</b>	No tap holes Polished Nickel Imperial Feet	<b>SL610-BBPN</b>	No tap holes Polished Nickel Ball and Claw Feet
<b>SL611-IBPN</b>	7" rim holes Polished Nickel Imperial Feet	<b>SL611-BBPN</b>	7" rim holes Polished Nickel Ball and Claw Feet
<b>SL612-IBPN</b>	3 1/2" rim holes Polished Nickel Imperial Feet	<b>SL612-BBPN</b>	3 1/2" rim holes Polished Nickel Ball and Claw Feet



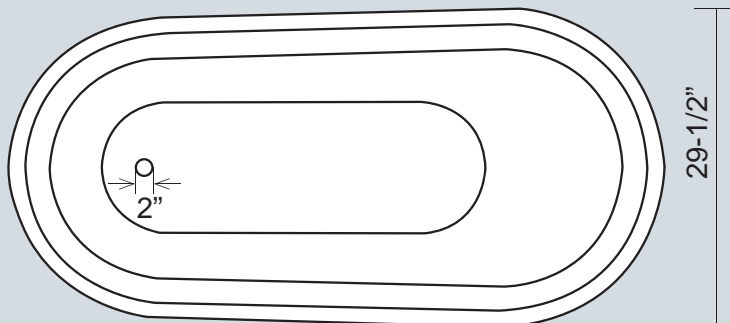
### 60" Classic Slipper Tubs

- White porcelain enamel interior
- Hand smoothed painted white exterior
- Size: 60" L x 30" W x 30 1/2" H
- Water depth is 13.4"
- Tub Weight Uncrated: 365 lbs
- Available with 7" rim holes
- Overflow hole diameter is 2"



### 61" Classic Slipper Tubs

- Dimensions: 61" L x 29-1/2" W x 23-1/2" to 32-1/2" H
- Tub Weight Uncrated: 285 lbs
- Water depth to overflow is 15-1/4" H.
- Tub is 18-3/4" deep at drain.
- Overflow hole diameter is 2"



\* All measurements are approximate. Measurements may vary +/- 1/2".



## 67" Classic Slipper Tubs

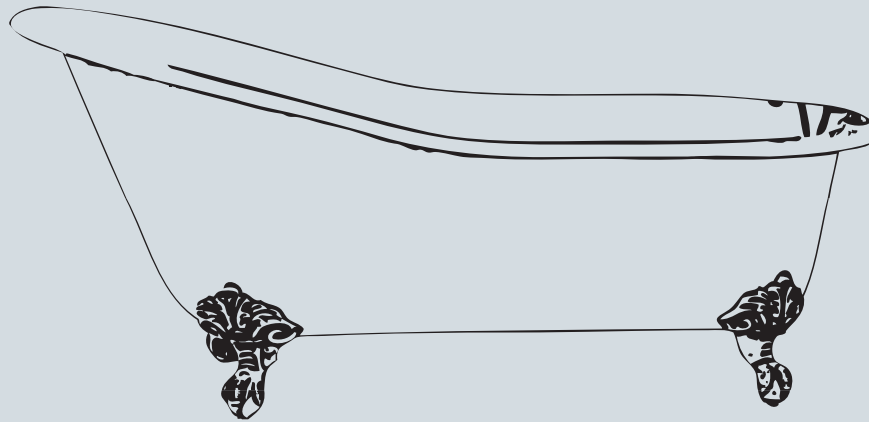
- This extra long 67" Slipper Tub features an extended, gently sloped backrest and sits on ball and claw feet or imperial feet
- The slipper is available with faucet holes in the tub rim on the drain end, without faucet holes for faucets mounted on free-standing fixtures or in the wall of the home
- Dimensions: 67" L x 30" W x 23 - 29" H
- Tub Weight Uncrated: 285 lbs

Left: **SL671-IBOB** 67" Cast Iron Slipper Tub with 7" rim holes and oil Rubbed bronze Imperial feet



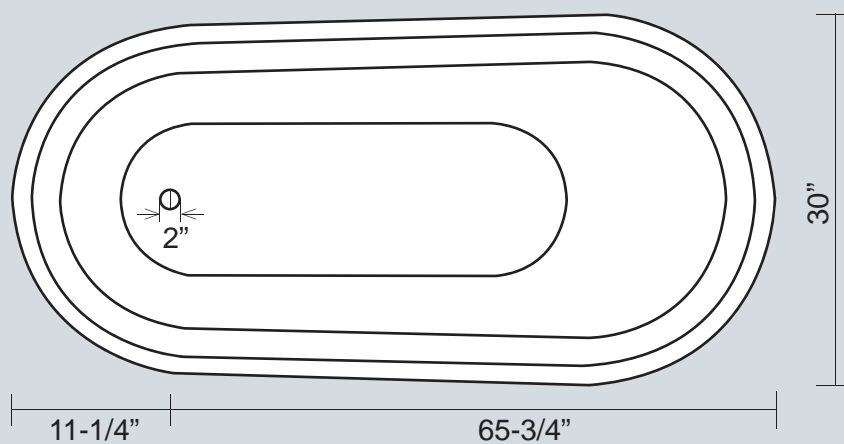
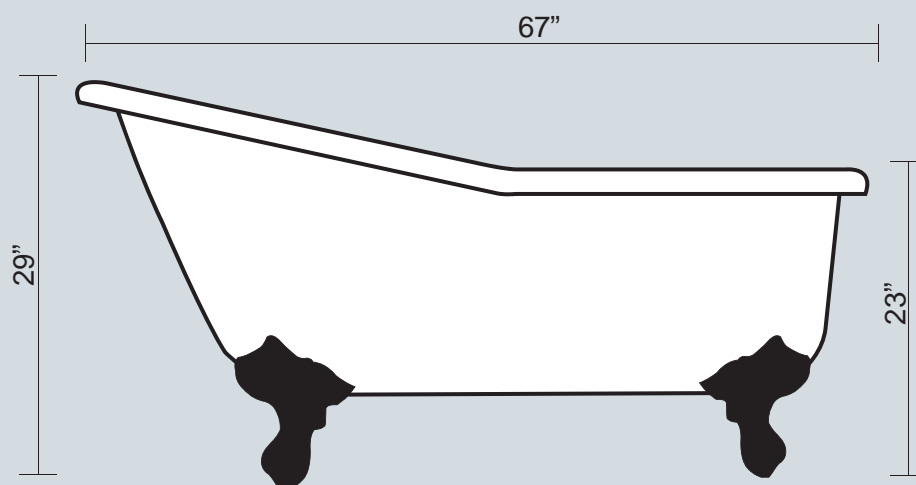
Right: **SL671-BBBN** 67" Cast Iron Slipper Tub with 7" rim holes and brushed nickel ball and claw feet

<b>SL670-IBBN</b>	No tap holes Brushed Nickel Imperial Feet	<b>SL670-BBBN</b>	No tap holes Brushed Nickel Ball and Claw Feet
<b>SL671-IBBN</b>	7" rim holes Brushed Nickel Imperial Feet	<b>SL671-BBBN</b>	7" rim holes Brushed Nickel Ball and Claw Feet
<b>SL672-IBBN</b>	3 1/2" rim holes Brushed Nickel Imperial Feet	<b>SL672-BBBN</b>	3 1/2" rim holes Brushed Nickel Ball and Claw Feet
<b>SL670-IBPB</b>	No tap holes Polished Brass Imperial Feet	<b>SL670-BBCH</b>	No tap holes Chrome Ball and Claw Feet
<b>SL671-IBPB</b>	7" rim holes Polished Brass Imperial Feet	<b>SL671-BBCH</b>	No tap holes Chrome Ball and Claw Feet
<b>SL672-IBPB</b>	3 1/2" rim holes Polished Brass Imperial Feet	<b>SL672-BBCH</b>	3 1/2" rim holes Chrome Ball and Claw Feet
<b>SL670-IBCH</b>	No tap holes Chrome Imperial Feet	<b>SL670-BBPB</b>	No tap holes Polished Brass Ball and Claw Feet
<b>SL671-IBCH</b>	7" rim holes Chrome Imperial Feet	<b>SL671-BBPB</b>	7" rim holes Polished Brass Ball and Claw Feet
<b>SL672-IBCH</b>	3 1/2" rim holes Chrome Imperial Feet	<b>SL672-BBPB</b>	3 1/2" rim holes Polished Brass Ball and Claw Feet
<b>SL670-IBWH</b>	No tap holes White Imperial Feet	<b>SL670-BBWH</b>	No tap holes White Ball and Claw Feet
<b>SL671-IBWH</b>	7" rim holes White Imperial Feet	<b>SL671-BBWH</b>	7" rim holes White Ball and Claw Feet
<b>SL672-IBWH</b>	3 1/2" rim holes White Imperial Feet	<b>SL672-BBWH</b>	3 1/2" rim holes White Ball and Claw Feet
<b>SL670-IBOB</b>	No tap holes Oil Rubbed Bronze Imperial Feet	<b>SL670-BBOB</b>	No tap holes Oil Rubbed Bronze Ball and Claw Feet
<b>SL671-IBOB</b>	7" rim holes Oil Rubbed Bronze Imperial Feet	<b>SL671-BBOB</b>	7" rim holes Oil Rubbed Bronze Ball and Claw Feet
<b>SL672-IBOB</b>	3 1/2" rim holes Oil Rubbed Bronze Imperial Feet	<b>SL672-BBOB</b>	3 1/2" rim holes Oil Rubbed Bronze Ball and Claw Feet
<b>SL670-IBPN</b>	No tap holes Polished Nickel Imperial Feet	<b>SL670-BBPN</b>	No tap holes Polished Nickel Ball and Claw Feet
<b>SL671-IBPN</b>	7" rim holes Polished Nickel Imperial Feet	<b>SL671-BBPN</b>	7" rim holes Polished Nickel Ball and Claw Feet
<b>SL672-IBPN</b>	3 1/2" rim holes Polished Nickel Imperial Feet	<b>SL672-BBPN</b>	3 1/2" rim holes Polished Nickel Ball and Claw Feet



### 67" Classic Slipper Tubs

- Dimensions: 67" L x 30" W x 23 - 29" H
- Tub is 17" deep at drain.
- Water depth to overflow is 13-1/2" H
- Overflow hole diameter is 2"



\* All measurements are approximate. Measurements may vary +/- 1/2".



## 66" Slipper with King's Imperial Feet

- 66" Slipper with no 7" rim holes
- Dimensions: 66.5" L x 30 1/8" W x 25 - 29" H
- Water depth is 13" to overflow
- Tub Weight: 350 lbs uncrated
- White porcelain enamel interior
- Hand smoothed painted white exterior

Left: **SL661-KBCH** 66" Cast Iron Slipper Tub with 7" rim holes and Chrome Imperial Feet

<b>SL661-KBBN</b>	7" rim holes Brushed Nickel Imperial Feet
<b>SL661-KBPB</b>	7" rim holes Polished Brass Imperial Feet
<b>SL661-KBCH</b>	7" rim holes Chrome Imperial Feet
<b>SL661-KBWH</b>	7" rim holes White Imperial Feet
<b>SL661-KBOB</b>	7" rim holes Oil Rubbed Bronze Imperial Feet
<b>SL661-KBPN</b>	7" rim holes Polished Nickel Imperial Feet

<b>SL670-PBBN</b>	No tap holes Brushed Nickel Paw Feet
<b>SL670-PBPB</b>	No tap holes Polished Brass Paw Feet
<b>SL670-PBCH</b>	No tap holes Chrome Paw Feet
<b>SL670-PBWH</b>	No tap holes White Paw Feet
<b>SL670-PBOB</b>	No tap holes Oil Rubbed Bronze Paw Feet
<b>SL670-PBPN</b>	No tap holes Polished Nickel Paw Feet

## 67" Slipper with Paw Feet

This extra long 67" Slipper Tub includes an extended gentle slope backrest.

- *Feet styles available:* Lion
- *Rims available:* Continuous rolled rim with no tap hole
- 67" L x 30" W x 25 - 30" H
- Tub Weight: 300 lbs uncrated
- Water depth is 15-1/2" to overflow

Right: **SL670-PBCH** 67" Cast Iron Slipper Tub with Chrome Paw Feet

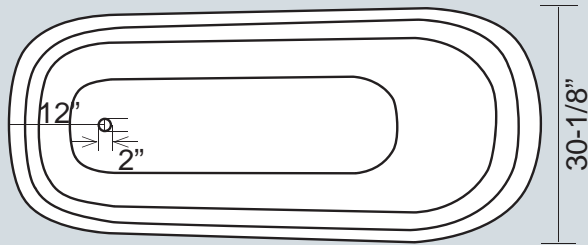
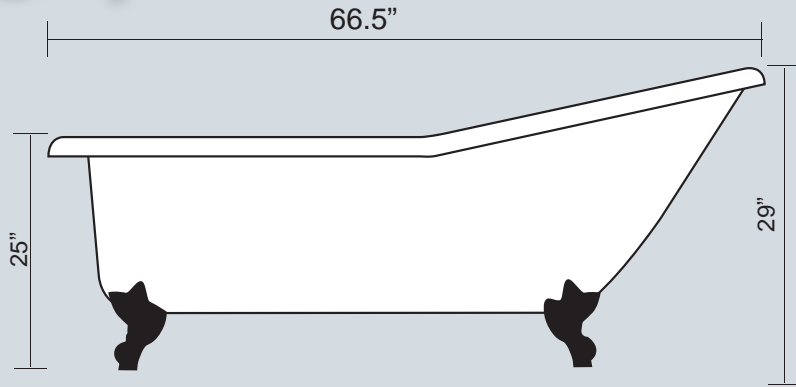


## 42" Square Free-standing Cast Iron Shower Tray

This cast iron shower pan is ideal for those who desire a traditional look, but don't have the space for a clawfoot tub. Made of sturdy cast iron, with classic ball and claw brass feet in your choice of finish.

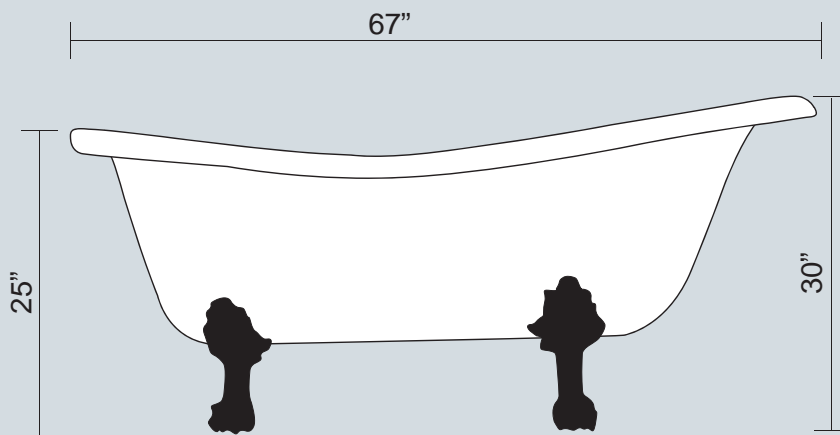
<b>SP420-BBBN</b>	Brushed Nickel Ball Feet
<b>SP420-BBPB</b>	Polished Brass Ball Feet
<b>SP420-BBCH</b>	Chrome Ball Feet
<b>SP420-BBWH</b>	White Ball Feet
<b>SP420-BBOB</b>	Oil Rubbed Bronze Ball Feet
<b>SP420-BBPN</b>	Polished Nickel Ball Feet

- Overall 42" W x 42" D
- Height with feet is approximately 12-1/4"
- 6" deep
- 2-1/4" rounded lip
- Uses drain with 2" opening
- Weight: 192 lbs uncrated



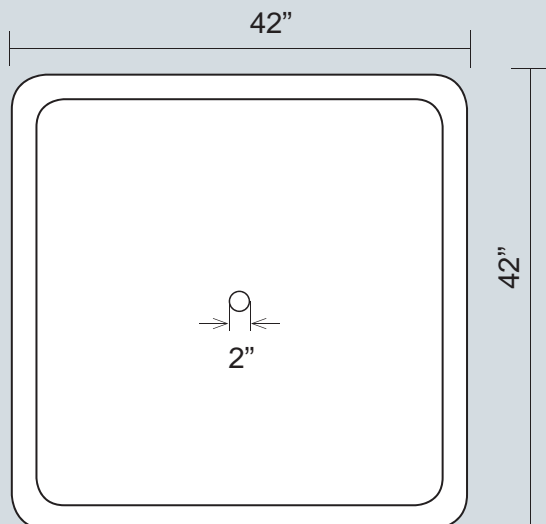
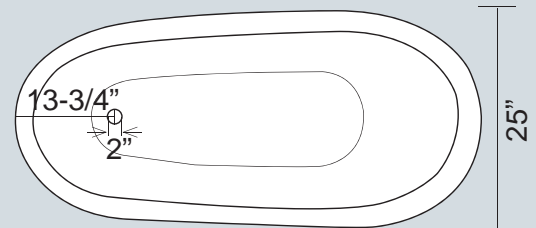
### 66" Slipper with King's Imperial Feet

- 66" Slipper with no 7" rim holes
- Dimensions:  
66 1/2" L x 30 1/8" W x 25 - 29" H
- Water depth is 13" to overflow
- Tub Weight: 350 lbs uncrated
- Overflow hole diameter is 2"



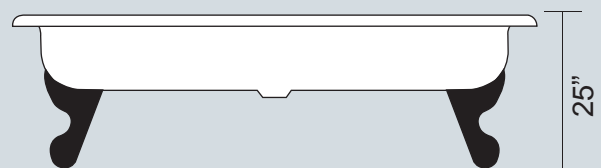
### 67" Slipper with Paw Feet

- *Rims available:* Continuous rolled rim with no tap hole
- 67" L x 30" W x 25 - 30" H
- Water depth is 15-1/2" to overflow
- Tub is 17" deep at drain.
- Overflow hole diameter is 2"
- Water depth to overflow is 15-1/2" H.



### 42" Square Free-standing Cast Iron Shower Tray

Overall 42" W x 42" D.  
Height with feet is approximately 12-1/4".  
6" deep. 2-1/4" rounded lip.  
Uses drain with 2" opening.





## 48" Cast Iron Roll Top Tub

- Dimensions :48" L x 30" W x 21-1/2" H
- Tub Weight Uncrated: 233 lbs
- White porcelain enamel interior
- Hand smoothed painted white exterior

Right: **RT480-BBCH** No tap holes with Chrome Ball and Claw Feet



<b>RT480-BBBN</b>	No tap holes Brushed Nickel Ball Feet
<b>RT480-BBPB</b>	No tap holes Polished Brass Ball Feet
<b>RT480-BBCH</b>	No tap holes Chrome Ball Feet
<b>RT480-BBWH</b>	No tap holes White Ball Feet
<b>RT480-BBOB</b>	No tap holes Oil Rubbed Bronze Ball Feet
<b>RT480-BBPN</b>	No tap holes Polished Nickel Ball Feet



## 54" Cast Iron Roll Top Tub

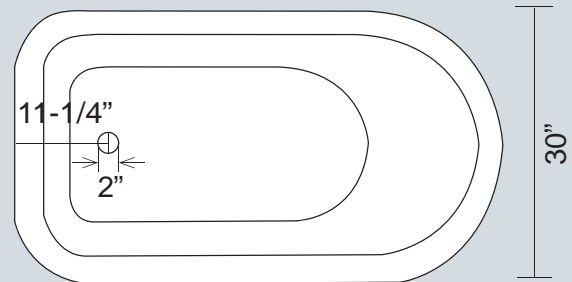
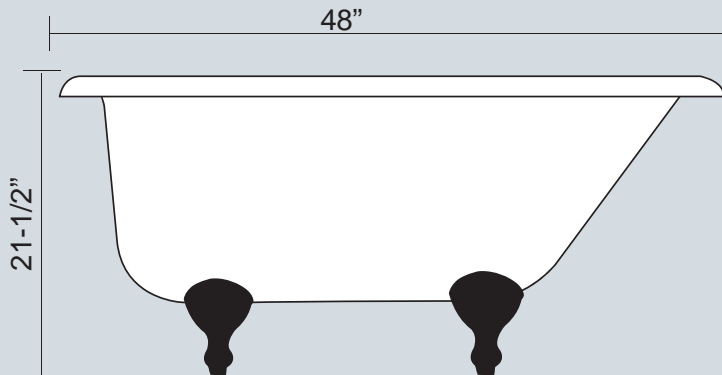
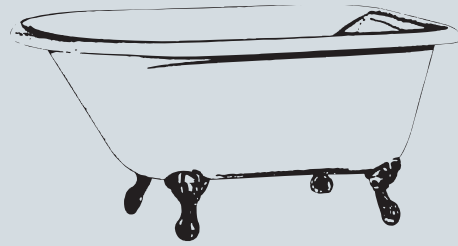
- Dimensions: 54-3/4" L x 30-1/2" W x 22-3/4" H
- Tub Weight Uncrated: 240 lbs
- White porcelain enamel interior
- Hand smoothed painted white exterior

Left: **RT541-BBCH** 7" rim holes and Chrome Ball and Claw Feet

<b>RT540-BBBN</b>	No tap holes Brushed Nickel Ball and Claw Feet
<b>RT541-BBBN</b>	7" rim holes Brushed Nickel Ball and Claw Feet
<b>RT542-BBBN</b>	3 1/2" rim holes Brushed Nickel Ball and Claw Feet
<b>RT540-BBCH</b>	No tap holes Chrome Ball and Claw Feet
<b>RT541-BBCH</b>	7" rim holes Chrome Ball and Claw Feet
<b>RT542-BBCH</b>	3 1/2" rim holes Chrome Ball and Claw Feet
<b>RT540-BBPB</b>	No tap holes Polished Brass Ball and Claw Feet
<b>RT541-BBPB</b>	7" rim holes Polished Brass Ball and Claw Feet
<b>RT542-BBPB</b>	3 1/2" rim holes Polished Brass Ball and Claw Feet
<b>RT540-BBWH</b>	No tap holes White Ball and Claw Feet
<b>RT541-BBWH</b>	7" rim holes White Ball and Claw Feet
<b>RT542-BBWH</b>	3 1/2" rim holes White Ball and Claw Feet
<b>RT540-BBOB</b>	No tap holes Oil Rubbed Bronze Ball and Claw Feet
<b>RT541-BBOB</b>	7" rim holes Oil Rubbed Bronze Ball and Claw Feet
<b>RT542-BBOB</b>	3 1/2" rim holes Oil Rubbed Bronze Ball and Claw Feet
<b>RT540-BBPN</b>	No tap holes Polished Nickel Ball and Claw Feet
<b>RT541-BBPN</b>	7" rim holes Polished Nickel Ball and Claw Feet
<b>RT542-BBPN</b>	3 1/2" rim holes Polished Nickel Ball and Claw Feet

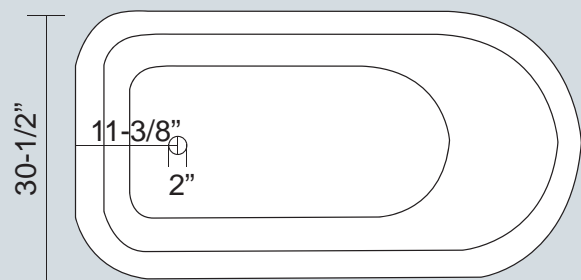
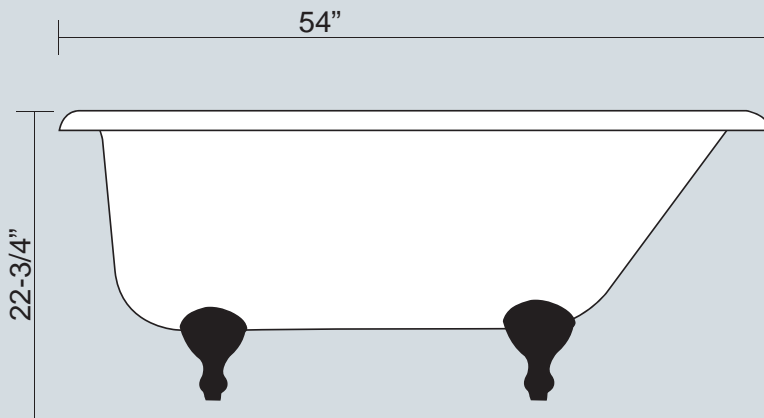
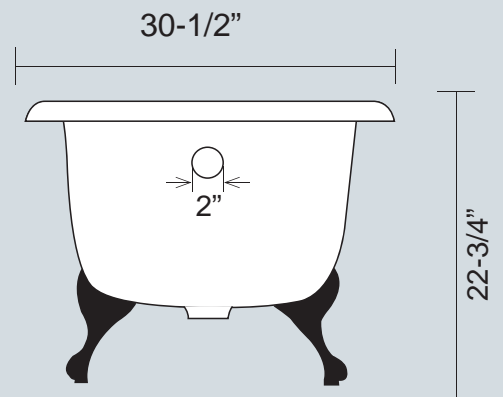
### 48" Cast Iron Roll Top Tub

- Dimensions :48" L x 30" W x 21-1/2" H
- Tub Weight Uncrated: 233 lbs
- Overflow hole diameter is 2"



### 54" Cast Iron Rolled Rim Top Tub on Feet

- Dimensions: 54-3/4" L x 30-1/2" W x 22-3/4" H
- Tub Weight Uncrated: 240 lbs
- Overflow hole diameter is 2"



\* All measurements are approximate. Measurements may vary +/- 1/2".



## 57" Roll Top Tub on Solid Brass Feet

- Dimensions: 57" L x 30-1/2" W x 22-3/4" H
- Tub Weight Uncrated: 246 lbs
- White porcelain enamel interior
- Hand smoothed painted white exterior

Left: **RT570-BBCH** No tap holes with Chrome Ball and Claw Feet

<b>RT570-BBBN</b>	No tap holes Brushed Nickel Ball and Claw Feet
<b>RT571-BBBN</b>	7" rim holes Brushed Nickel Ball and Claw Feet
<b>RT572-BBBN</b>	3 1/2" rim holes Brushed Nickel Ball and Claw Feet
<b>RT570-BBCH</b>	No tap holes Chrome Ball and Claw Feet
<b>RT571-BBCH</b>	7" rim holes Chrome Ball and Claw Feet
<b>RT572-BBCH</b>	3 1/2" rim holes Chrome Ball and Claw Feet
<b>RT570-BBPB</b>	No tap holes Polished Brass Ball and Claw Feet
<b>RT571-BBPB</b>	7" rim holes Polished Brass Ball and Claw Feet
<b>RT572-BBPB</b>	3 1/2" rim holes Polished Brass Ball and Claw Feet
<b>RT570-BBWH</b>	No tap holes White Ball and Claw Feet
<b>RT571-BBWH</b>	7" rim holes White Ball and Claw Feet
<b>RT572-BBWH</b>	3 1/2" rim holes White Ball and Claw Feet
<b>RT570-BBOB</b>	No tap holes Oil Rubbed Bronze Ball and Claw Feet
<b>RT571-BBOB</b>	7" rim holes Oil Rubbed Bronze Ball and Claw Feet
<b>RT572-BBOB</b>	3 1/2" rim holes Oil Rubbed Bronze Ball and Claw Feet
<b>RT570-BBPN</b>	No tap holes Polished Nickel Ball and Claw Feet
<b>RT571-BBPN</b>	7" rim holes Polished Nickel Ball and Claw Feet
<b>RT572-BBPN</b>	3 1/2" rim holes Polished Nickel Ball and Claw Feet

## 60" Rolled Rim Tub on Pedestal

This 60" standard size classic clawfoot tub is mounted on a reproduction pedestal for a clean, nostalgic look.

- Size: 60" L x 30-1/2" W x 23-1/2" H
- Tub Weight Uncrated: 324 lbs

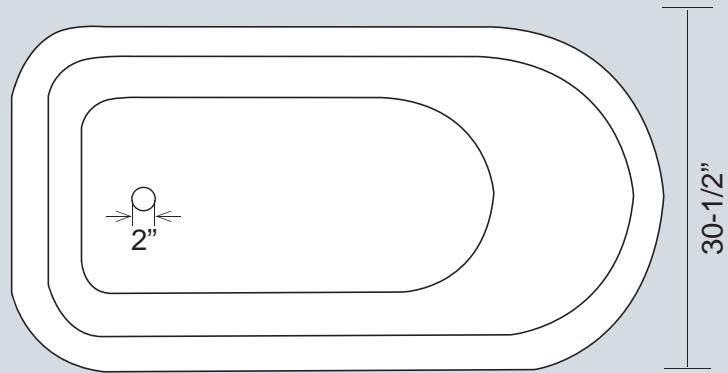
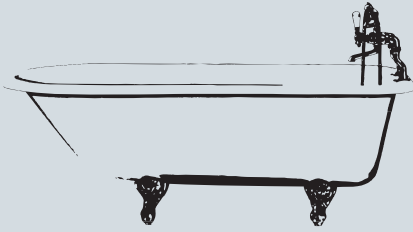
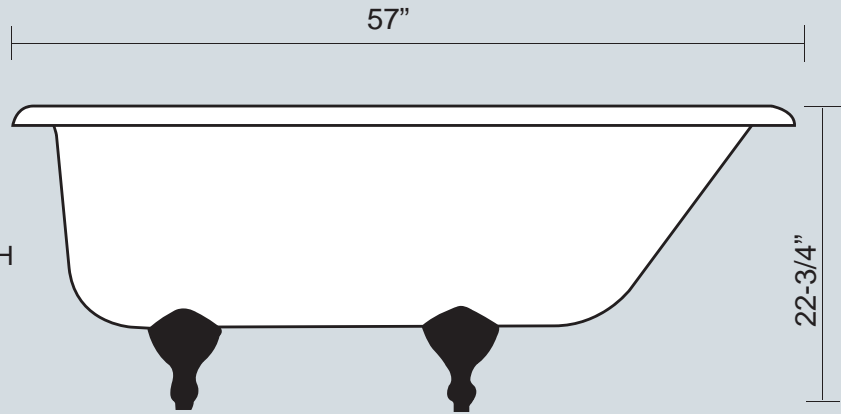
Right: **RT600-P** 60" Rolled Rim tub on pedestal with No Tap Holes



<b>RT600-P</b>	No tap holes with pedestal
<b>RT601-P</b>	7" rim hole with pedestal
<b>RT602-P</b>	3 1/2" wall hole with pedestal

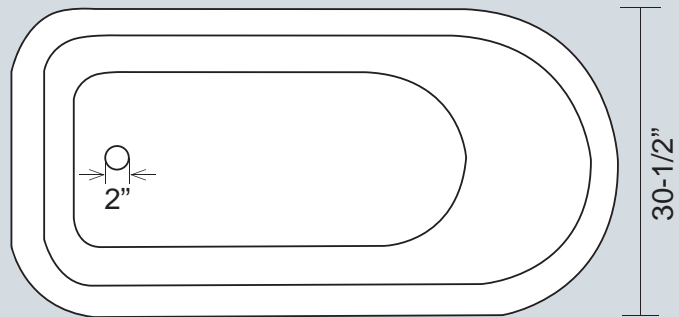
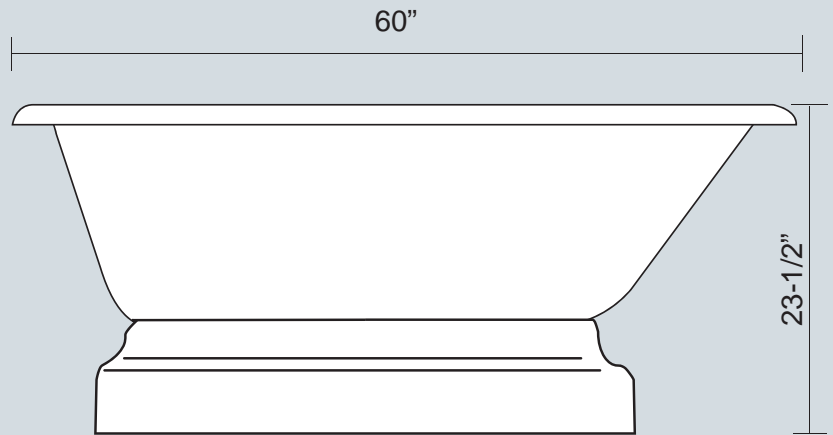
**57" Roll Top Tub on Solid Brass Feet**

- Dimensions: 57" L x 30-1/2" W x 22-3/4" H
- Tub Weight Uncrated: 246 lbs
- Overflow hole diameter is 2"



**60" Rolled Rim Tub on Pedestal**

- Size: 60" L x 30-1/2" W x 23-1/2" H
- Tub Weight Uncrated: 324 lbs
- Overflow hole diameter is 2"



\* All measurements are approximate. Measurements may vary +/- 1/2".



## 61" Roll Top Tub on Solid Brass Feet

- Dimensions: 61" L x 30-1/2" W x 22-3/4" H
- Tub Weight Uncrated: 254 lbs
- White porcelain enamel interior
- Hand smoothed painted white exterior

Left: **RT610-BBCH** 61" Cast Iron Roll Top Tub with no tap holes and Chrome Ball and Claw Feet

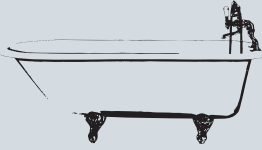
<b>RT610-BBBN</b>	61" No tap holes Brushed Nickel Ball and Claw Feet	<b>RT670-BBBN</b>	67" No tap holes Brushed Nickel Ball and Claw Feet
<b>RT611-BBBN</b>	61" 7" rim holes Brushed Nickel Ball and Claw Feet	<b>RT671-BBBN</b>	67" 7" rim holes Brushed Nickel Ball and Claw Feet
<b>RT612-BBBN</b>	61" 3 1/2" rim holes Brushed Nickel Ball and Claw Feet	<b>RT672-BBBN</b>	67" 3 1/2" rim holes Brushed Nickel Ball and Claw Feet
<b>RT610-BBCH</b>	61" No tap holes Chrome Ball and Claw Feet	<b>RT670-BBCH</b>	67" No tap holes Chrome Ball and Claw Feet
<b>RT611-BBCH</b>	61" 7" rim holes Chrome Ball and Claw Feet	<b>RT671-BBCH</b>	67" 7" rim holes Chrome Ball and Claw Feet
<b>RT612-BBCH</b>	61" 3 1/2" rim holes Chrome Ball and Claw Feet	<b>RT672-BBCH</b>	67" 3 1/2" rim holes Chrome Ball and Claw Feet
<b>RT610-BBPB</b>	61" No tap holes Polished Brass Ball and Claw Feet	<b>RT670-BBPB</b>	67" No tap holes Polished Brass Ball and Claw Feet
<b>RT611-BBPB</b>	61" 7" rim holes Polished Brass Ball and Claw Feet	<b>RT671-BBPB</b>	67" 7" rim holes Polished Brass Ball and Claw Feet
<b>RT612-BBPB</b>	61" 3 1/2" rim holes Polished Brass Ball and Claw Feet	<b>RT672-BBPB</b>	67" 3 1/2" rim holes Polished Brass Ball and Claw Feet
<b>RT610-BBWH</b>	61" No tap holes White Ball and Claw Feet	<b>RT670-BBWH</b>	67" No tap holes White Ball and Claw Feet
<b>RT611-BBWH</b>	61" 7" rim holes White Ball and Claw Feet	<b>RT671-BBWH</b>	67" 7" rim holes White Ball and Claw Feet
<b>RT612-BBWH</b>	61" 3 1/2" rim holes White Ball and Claw Feet	<b>RT672-BBWH</b>	67" 3 1/2" rim holes White Ball and Claw Feet
<b>RT610-BBOB</b>	61" No tap holes Oil Rubbed Bronze Ball and Claw Feet	<b>RT670-BBOB</b>	67" No tap holes Oil Rubbed Bronze Ball and Claw Feet
<b>RT611-BBOB</b>	61" 7" rim holes Oil Rubbed Bronze Ball and Claw Feet	<b>RT671-BBOB</b>	67" 7" rim holes Oil Rubbed Bronze Ball and Claw Feet
<b>RT612-BBOB</b>	61" 3 1/2" rim holes Oil Rubbed Bronze Ball and Claw Feet	<b>RT672-BBOB</b>	67" 3 1/2" rim holes Oil Rubbed Bronze Ball and Claw Feet
<b>RT610-BBPN</b>	61" No tap holes Polished Nickel Ball and Claw Feet	<b>RT670-BBPN</b>	67" No tap holes Polished Nickel Ball and Claw Feet
<b>RT611-BBPN</b>	61" 7" rim holes Polished Nickel Ball and Claw Feet	<b>RT671-BBPN</b>	67" 7" rim holes Polished Nickel Ball and Claw Feet
<b>RT612-BBPN</b>	61" 3 1/2" rim holes Polished Nickel Ball and Claw Feet	<b>RT672-BBPN</b>	67" 3-1/2" rim holes Polished Nickel Ball and Claw Feet

## 67" Roll Top Tub on Solid Brass Feet

- Dimensions: 67" L x 30-1/2" W x 22-3/4" H
- Tub Weight Uncrated: 254 lbs
- White porcelain enamel interior
- Hand smoothed painted white exterior

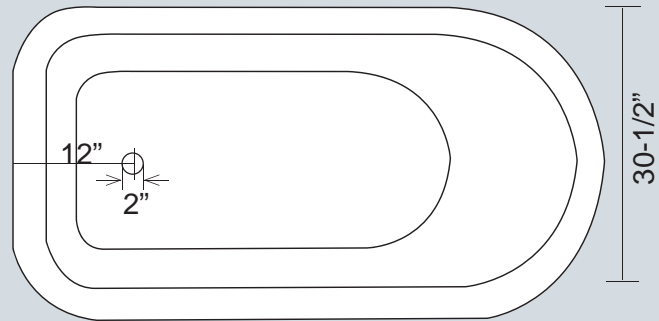
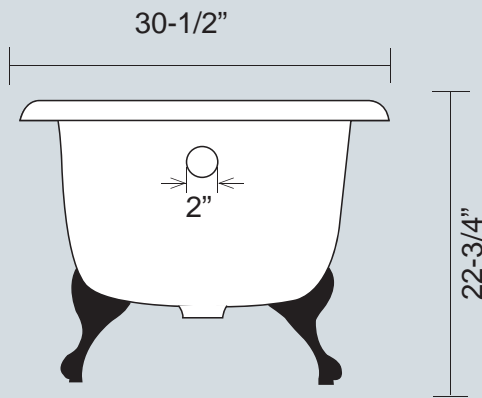
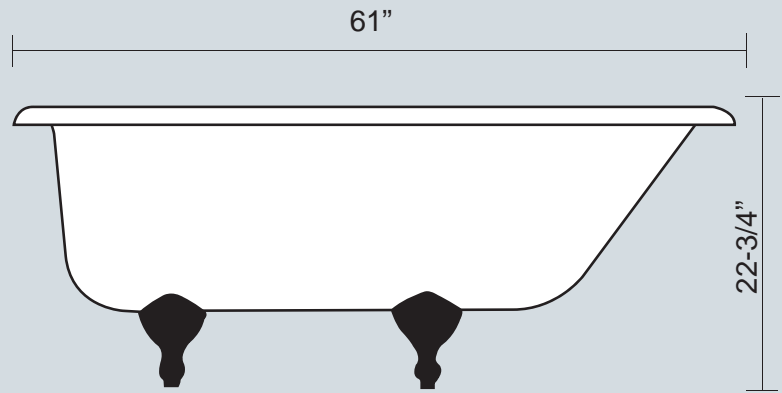
Right: **RT671-BBCH** 67" Cast Iron Roll Top Tub with 7" rim holes and Chrome Ball and Claw Feet





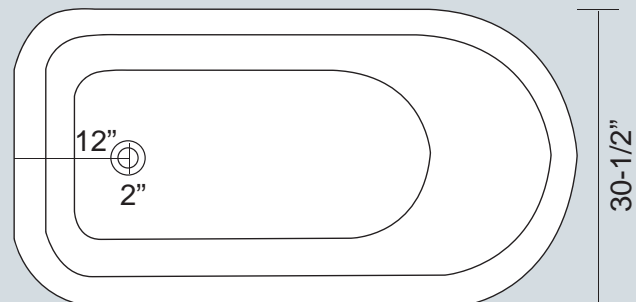
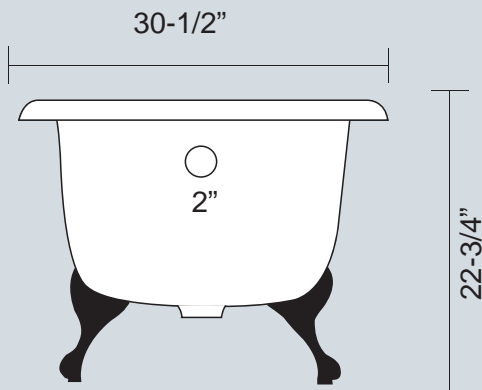
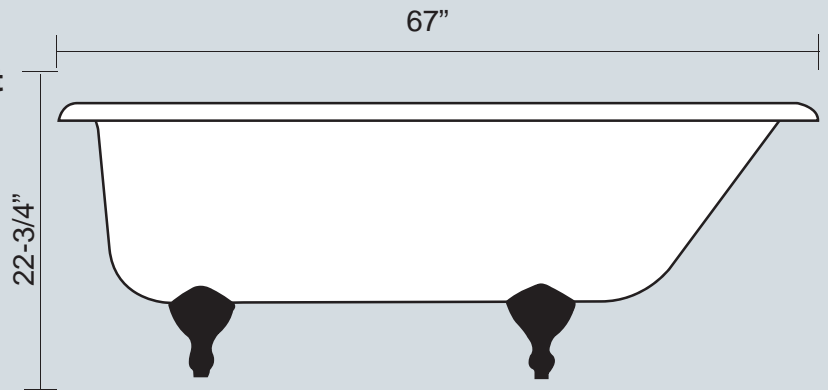
### 61" Roll Top Tub on Solid Brass Feet

- Dimensions: 61" L x 30-1/2" W x 22-3/4" H
- Tub Weight Uncrated: 254 lbs
- Overflow hole diameter is 2"



### 67" Roll Top Tub on Solid Brass Feet

- Dimensions: 67" L x 30-1/2" W x 22-3/4" H
- Tub Weight Uncrated: 254 lbs
- Overflow hole diameter is 2"



\* All measurements are approximate. Measurements may vary +/- 1/2".

## Drop-in Bath Tubs



Drop-in baths have a finished rim and are designed to drop into a deck or custom surround.

One of the advantages of drop-in baths is that they can be installed in corners, peninsulas, islands and recesses or can be sunk into the floor. A drop-in bath is supported from below and has a self-rimming edge that is designed to sit over a frame topped with tile or another water-resistant material. Many soaking baths are designed for drop-in installation.



**CBT - 11**

66-1/2" L x 31-1/2" W x 16-1/2" H



**CBT-12**

66-1/2" L x 29-3/8" W x 16-1/2" H



**CBT-13**

59" L x 29-1/2" W x 16-1/2" H



**CBT-21**

59" L x 29-1/2" W x 15" H  
67" L x 29-1/2" W x 16-1/2" H



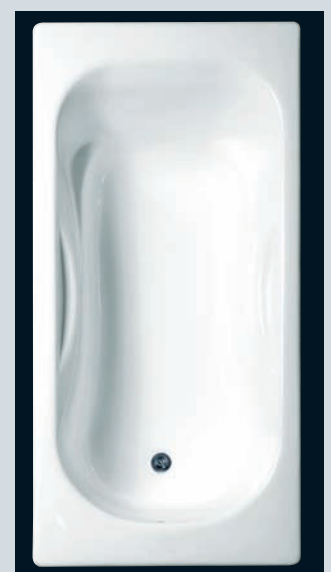
**CBT-22**

47-1/4" L x 27-1/2" W x 14-1/8" H  
59" L x 27-1/2" W x 15" H  
67" L x 27-1/2" W x 16-7/8" H



**CBT-23**

67" L x 29-1/2" W x 16-7/8" H

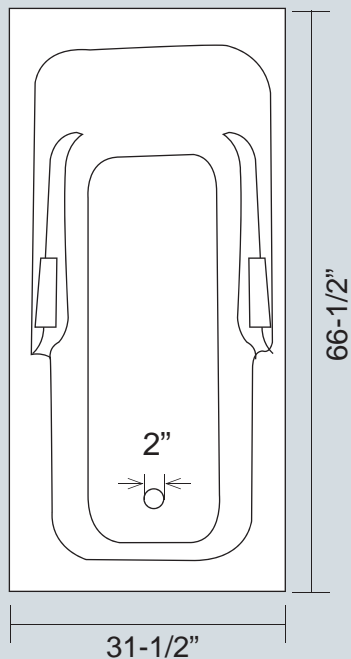


**CBT-24**

59" L x 29-1/2" W x 16-7/8" H

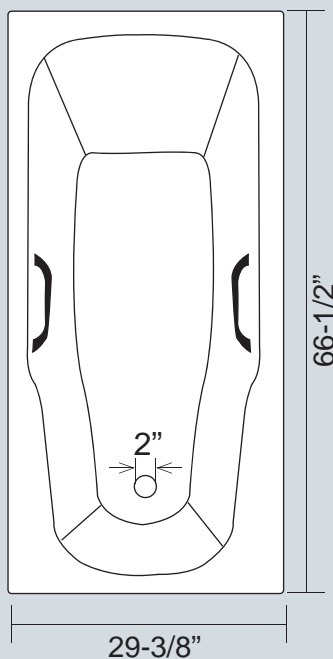
**CBT-11**

66-1/2" L x 31-1/2" W x 16-1/2" H



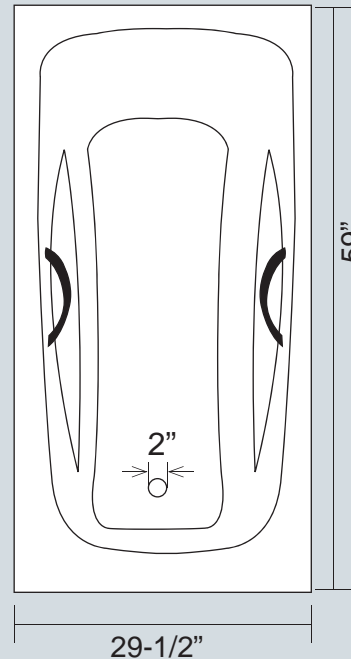
**CBT-12**

66-1/2" L x 29-3/8" W x 16-1/2" H



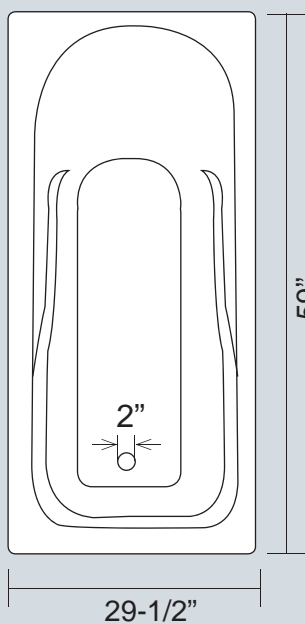
**CBT-13**

59" L x 29-1/2" W x 16-1/2" H



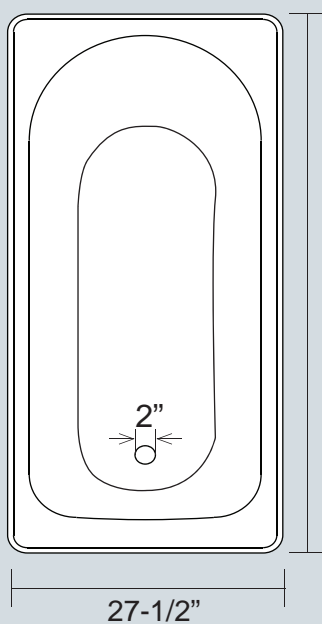
**CBT-21**

59" L x 29-1/2" W x 15" H  
 67" L x 29-1/2" W x 16-1/2" H



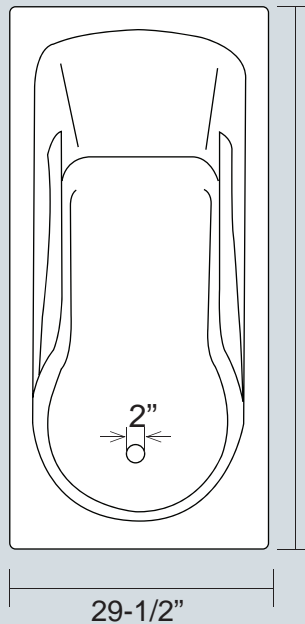
**CBT-22**

47-1/4" L x 27-1/2" W x 14-1/8" H  
 59" L x 27-1/2" W x 15" H  
 67" L x 27-1/2" W x 16-7/8" H



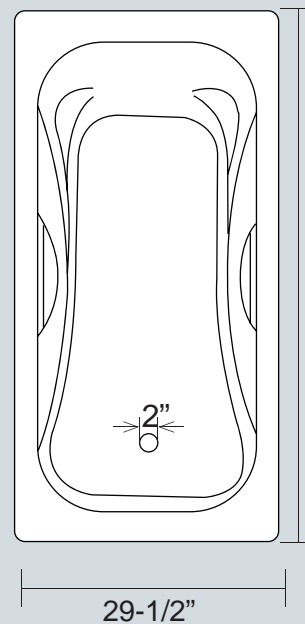
**CBT-23**

67" L x 29-1/2" W x 16-7/8" H



**CBT-24**

59" L x 29-1/2" W x 16-7/8" H



\* All measurements are approximate. Measurements may vary +/- 1/2".



## Cast Iron Kitchen Sinks



**CBS-8001**

### 42" Cast Iron Farmhouse Apron Sink with Drain Board

- Dimensions: 42.13" W x 20.87" D x 16.14" H
- Left hand drain board; right hand sink
- 3-1/2" drain size
- 8" faucet centers
- Uncrated weight is 154 lbs



**CBS-9002**

Dimensions: 32-1/4" L x 18-7/8" W x 8-7/8" H



**CBS-9001**

Dimensions: 32-1/4" L x 18-7/8" W x 8-7/8" H



**CBS-9003**

Dimensions: 32-1/4" L x 18-7/8" W x 8-7/8" H



### Jade Sink

This gorgeous Jade Sink is hand-carved from a whole piece of jade. As a result, each piece is unique.

Jade is a durable, elegant, and visually striking addition to your bathroom decor.

Dimensions: 15-3/4" x 6-1/2"



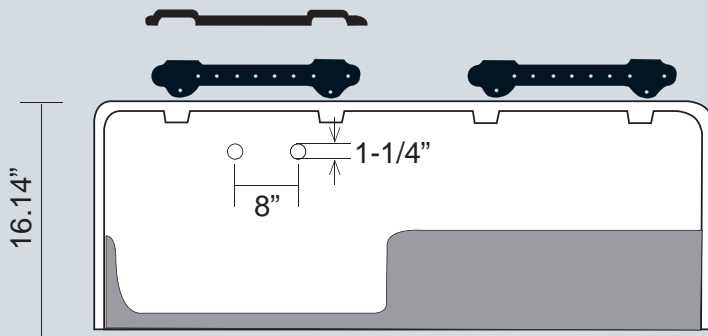
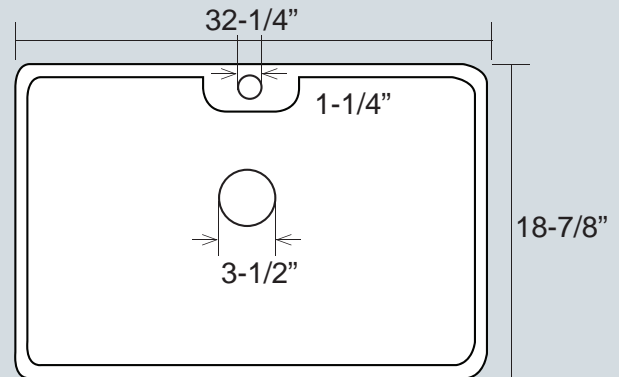
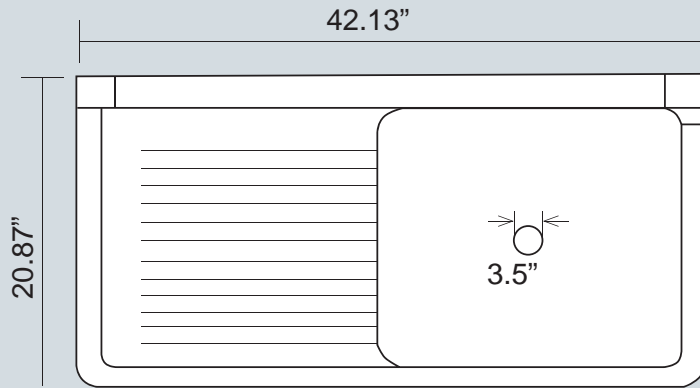
**KFT-1001**

**Kitchen Faucet**

**42" Cast Iron Farmhouse Apron Sink with Drain Board**

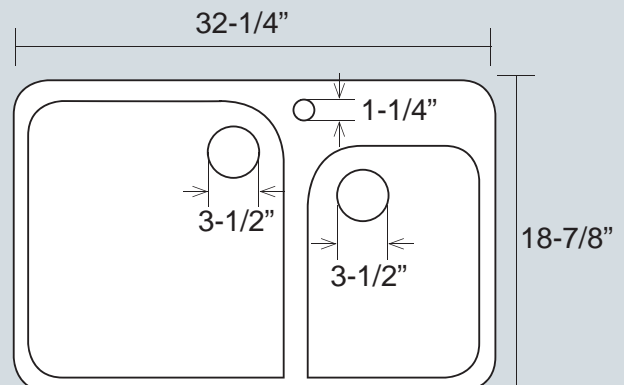
**CBS-9002**

Dimensions: 32-1/4" L x 18-7/8" W x 8-7/8" H

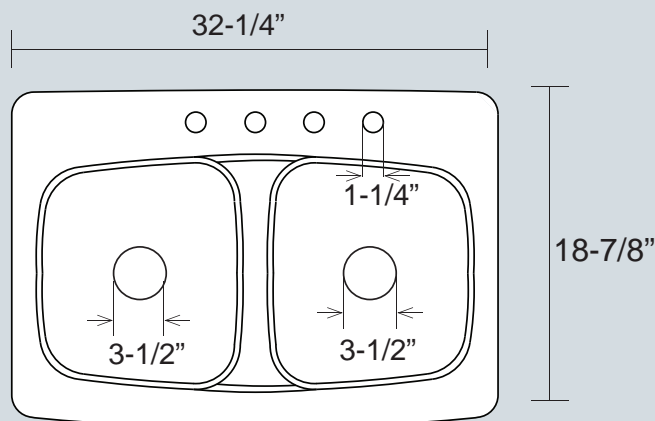


**CBS-9003**

Dimensions: 32-1/4" L x 18-7/8" W x 8-7/8" H

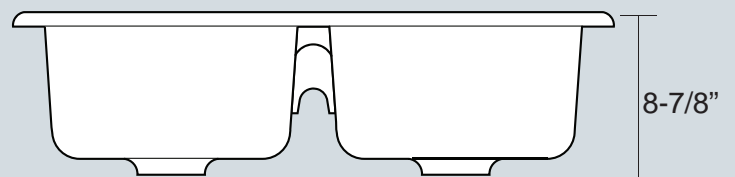


- Dimensions: 42.13" W x 20.87" D x 16.14" H
- Left hand drain board; right hand sink
- 3-1/2" drain size
- 8" faucet centers
- Uncrated weight is 154 lbs.



**CBS-9001**

Dimensions: 32-1/4" L x 18-7/8" W x 8-7/8" H



## Stainless Steel Plug Tub Drain



This tub drain and overflow includes an extended waste and escutcheon plate. Available in 1-1/2" tubing, fits most new plumbing.

The drain has extra-long tubes that may be cut to size at installation. Will fit antique & modern clawfoot tubs and free standing tubs. Chain, plug, floor flange, gaskets, and nuts included.

DLT-1001 / Chrome  
 DLT-1004 / Brushed Nickel  
 DLT-1006 / Oil Rubbed Bronze  
 DLT-1007 / Polished Nickel

DLT-2001 / Chrome  
 DLT-2004 / Brushed Nickel  
 DLT-2006 / Oil Rubbed Bronze  
 DLT-2007 / Polished Nickel  
 \* Fit Swedish Style Slipper Tubs

DLT-3001 / Chrome  
 DLT-3004 / Brushed Nickel  
 DLT-3006 / Oil Rubbed Bronze  
 DLT-3007 / Polished Nickel  
 \* Fit 67" Slipper with Paw Feet



DLT-1001



CXS-1201



CLT-2101H



CLT-3201



CLT-1111S



YOUR SUPPLIER OF CAST IRON TUBS, BATH AND KITCHEN ACCESSORIES



*Canyon Bath*

[www.canyonbath.com](http://www.canyonbath.com)

1649 Sands Place, Suite G

Marietta, GA 30067

(678) 431-5161

Fax: 1 (866) 446-8971

[info@canyonbath.com](mailto:info@canyonbath.com)